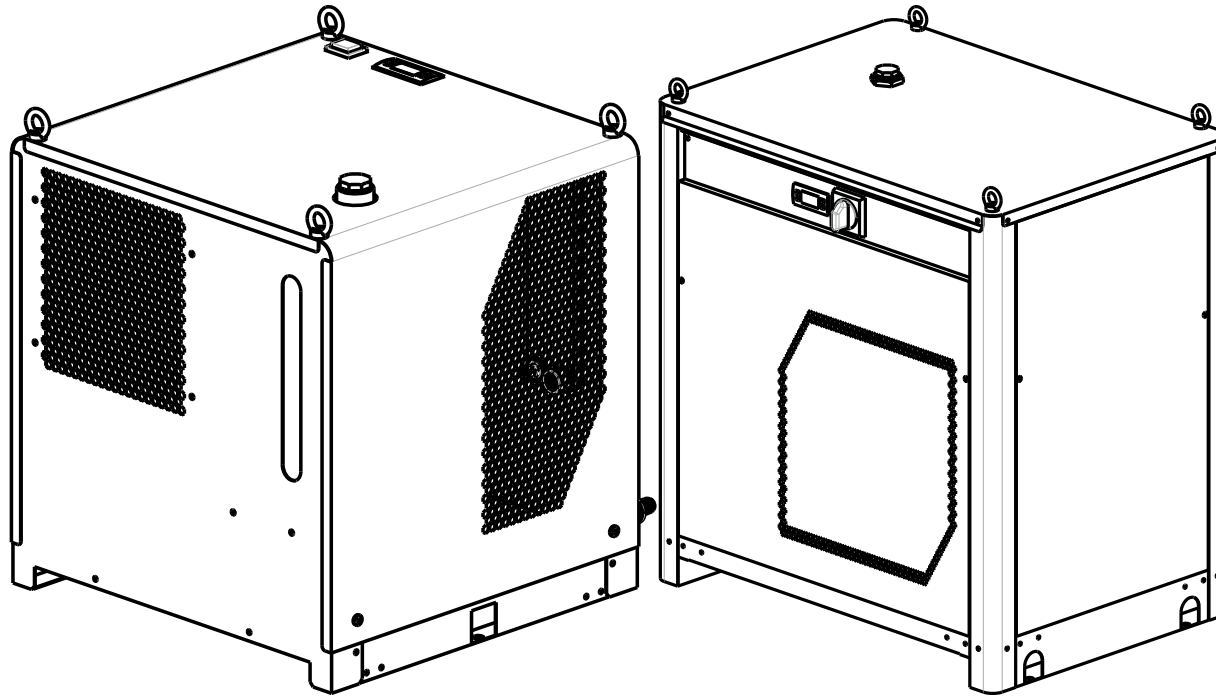


Hyperchill - Plus

(60Hz)

ICEP003
ICEP005



EN User Manual
ES Manual de uso
FR Manuel d'utilisation

DATE: 24.03.2017 - Rev. 1
CODE: 398H271706



Index

1	Safety	1
1.1	Importance of the manual	1
1.2	Warning signals	1
1.3	Safety instructions	1
1.4	Residual risks	1
2	Introduction	1
2.1	Transport	1
2.2	Handling	1
2.3	Inspection	2
2.4	Storage	2
3	Installation	2
3.1	Operating space	2
3.2	Versions	2
3.3	Water circuit	2
3.4	Electrical circuit	3
4	Control	4
4.1	Control panel	4
4.2	Starting the chiller	4
4.3	Stopping the chiller	4
4.4	Parameter settings	4
4.5	Change parameters	5
4.6	Setting clock/date	6
4.7	Visualization of temperature probes B1,B2	6
4.8	Alarms management	6
4.9	Automatic restart	6
5	Maintenance	7
5.1	General instructions	7
5.2	Preventive maintenance	7
5.3	Refrigerant	7
5.4	Dismantling	7
6	Troubleshooting	8
7	Appendix	
	Sono presenti simboli il cui significato è nel paragrafo 7.1.	
7.1	Legend	
7.2	Installation diagram	
7.3	Technical data	
7.4	Dimensions	
7.5	Spare parts	
7.6	Circuit diagram	
7.7	Wiring diagram	

1 Safety

1.1 Importance of the manual

- Keep it for the entire life of the machine.
- Read it before any operation.
- It is subject to changes: for updated information see the version on the machine.

1.2 Warning signals

	Instruction for avoiding danger to persons.
	Instruction for avoiding damage to the equipment.
	The presence of a skilled or authorized technician is required.
	There are symbols whose meaning is given in the para. 7.

1.3 Safety instructions

- Every unit is equipped with an electric disconnecting switch for operating in safe conditions. Always use this device in order to eliminate risks maintenance.
 - The manual is intended for the end-user, only for operations performable with closed panels: operations requiring opening with tools must be carried out by skilled and qualified personnel.
 - Do not exceed the design limits given on the dataplate.
 - It is the user's responsibility to avoid loads different from the internal static pressure. The unit must be appropriately protected whenever risks of seismic phenomena exist.
- Only use the unit for professional work and for its intended purpose. The user is responsible for analysing the application aspects for product installation, and following all the applicable industrial and safety standards and regulations contained in the product instruction manual or other documentation supplied with the unit.
- Tampering or replacement of any parts by unauthorised personnel and/or improper machine use exonerate the manufacturer from all responsibility and invalidate the warranty.
- The manufacturer declines and present or future liability for damage to persons, things and the machine, due to negligence of the operators, non-compliance with all the instructions given in this manual, and non-application of current regulations regarding safety of the system. The manufacturer declines any liability for damage due to alterations and/or changes to the packing.
- It is the responsibility of the user to ensure that the specifications provided for the selection of the unit or components and/or options are fully comprehensive for the correct or foreseeable use of themachine

itself or its components.

IMPORTANT: The manufacturer reserves the right to modify this manual at any time.

For the most comprehensive and updated information, the user is advised to consult the manual supplied with the unit.

Access to the appliance is not permitted for the general public.

Appliance is not to be used by children or persons with reduced physical, sensory or mental capabilities, or lack of experience and knowledge.

Children being supervised not to play with appliance.

Cleaning and user maintenance shall not be made by children.

If the supply cord is damaged, it must be replaced by service agent or similarly qualified persons in order to avoid a hazard.

If the supply cord is damaged, it must be replaced by service agent or similarly qualified persons in order to avoid a hazard.

1.4 Residual risks

The installation, start up, stopping and maintenance of the machine must be performed in accordance with the information and instructions given in the technical documentation supplied and always in such a way to avoid the creation of a hazardous situation.

The risks that it has not been possible to eliminate in the design stage are listed in the following table.

part affected	residual risk	manner of exposure	precautions
heat exchanger coil	small cuts	contact	avoid contact, wear protective gloves
fan grille and fan	lesions	insertion of pointed objects through the grille while the fan is in operation	do not poke objects of any type through the fan grille or place any objects on the grille
inside the unit: compressor and discharge pipe	burns	contact	avoid contact, wear protective gloves
inside the unit: metal parts and electrical wires	intoxication, electrical shock, serious burns	defects in the insulation of the power supply lines upstream of the electrical panel; live metal parts	adequate electrical protection of the power supply line; ensure metal parts are properly connected to earth

part affected	residual risk	manner of exposure	precautions
outside the unit: area surrounding the unit	intoxication, serious burns	fire due to short circuit or overheating of the supply line upstream of the unit's electrical panel	ensure conductor cross-sectional areas and the supply line protection system conform to applicable regulations

2 Introduction

The fan, pump and compressor motors are equipped with a thermal protector that protects them against possible overheating.

2.1 Transport

The packed unit must remain:

- Upright;
- Protected against atmospheric agents;
- Protected against impacts.

2.2 Handling

Use a fork-lift truck suitable for the weight to be lifted, avoiding any type of impact.

2.3 Inspection

- All the units are assembled, wired, charged with refrigerant and oil and tested in the factory;
- On receiving the machine check its condition: immediately notify the transport company in case of any damage;
- Unpack the unit as close as possible to the place of installation.

2.4 Storage

- Keep the unit packed in a clean place protected from damp and bad weather.
- Do not stack the units;
- Follow the instructions given on the package.

3 Installation

☞ For correct installation, follow the instructions given in par.7.2, 7.3 and 7.7.

⚠ **It is recommended that all chillers be fitted with adequate pre-filtration near the inlet water to the chiller.**

⚠ Liquids to be chilled

The liquids to be chilled must be compatible with the materials used. Examples of liquids used are water or mixtures of **water and ethylene or propylene glycols or oil**.

The liquids to be chilled must not be flammable.

If the liquids to be chilled contain hazardous substances (e.g. ethylene/propylene glycol), any liquid discharged from a leakage area must be

collected, because it is harmful to the environment. When draining the hydraulic circuit, comply with the current regulations and do not disperse the contents in the environment.

3.1 Operating space

Leave a space of 1.5 m around the unit.

Leave a space of at least 2 metres above the refrigerator in models with vertical emission of condensation air.

3.2 Versions

Axial fans (A)

Do not create cooling air recirculation situations.

Do not obstruct the ventilation grilles.

The ducting of extracted air is not recommended for versions with axial fans.

3.3 Water circuit

3.3.1 Checks and connection

☞ Before connecting the chiller and filling the circuit, check that all the pipes are clean. If not, wash them out thoroughly.

☞ If the plumbing circuit is of the closed type, under pressure it is advisable to install a safety valve set to: 6 bar (for water version)

☞ (for water version) Always install mesh filters on the water inlet and outlet pipelines.

☞ If the hydraulic circuit is intercepted by automatic valves, protect the pump with an anti-hammering system.

☞ (for water version) If the hydraulic circuit is emptied for shutdown periods we recommend that you add lubricating fluid to the pump's impeller to avoid the risk of blockage when it is re-started. In case the impeller is blocked then you should unblock it manually. Remove the rear cover of the pump and carefully turn the plastic fan. If the impeller is stuck then remove the fan and turn the impeller shaft directly. After un-blocking the impeller re-assemble the fan and cover.


Preliminary checks

- Check that any shut-off valves in the hydraulic circuit are open.
- (for water version) In the case of a closed water circuit, check that an expansion tank of suitable capacity has been installed. See paragraph 3.3.3.

Connection

1) Connect the cooler to the inlet and outlet piping, using the special connections located on the back of the unit.

We recommend the use of flexible unions to reduce system rigidity.

2) (for water version) Fill the water circuit using the fitting provided on the rear of the chiller ().

3) (for water version) The tank is equipped with a breather valve

that should be operated manually when filling the tank. Also, if the hydraulic circuit has high points, install a vent valve at the highest points.

- We recommend that taps are installed on the inlet and outlet pipes, so that the unit can be excluded for maintenance when necessary.
- If the chiller works with an open tank, the pump must be installed on intake to the tank and on delivery to the chiller.

Subsequent checks

- (for water version) Check that the tank and the circuit are completely full of water and that all the air has been expelled from the system.
- (for water version) The water circuit must always be kept full. For this reason, carry out periodic checks and top the circuit up if necessary, or install an automatic filling kit.

3.3.2 Water and ethylene glycol (water version)

If installed outdoors or in an unheated indoor area, it is possible that the water in the circuit may freeze if the system is not in operation during the coldest times of the year.

To avoid this hazard:

- Equip the chiller with suitable antifreeze protection devices, available from the manufacturer as optional accessories;
- Drain the system via the drain valve if the chiller is to remain idle for a prolonged period;
- Add an appropriate quantity of antifreeze to the water in circulation (see table).

Sometimes the temperature of the outlet water is so low as to require the addition of ethylene glycol in the following percentages.

Outlet water temperature [°C]	Ethylene glycol (% vol.)	Ambient temperature
4	5	-2
2	10	-5
0	15	-7
-2	20	-10
-4	25	-12
-6	30	-15

3.3.3 Expansion tank (water version)

To avoid the possibility of an increase or decrease in the volume of the fluid due to a significant change in its temperature causing damage to the machine or the water circuit, we recommend installing an expansion tank of suitable capacity.

The expansion tank must be installed on intake to the pump on the rear connection of the tank.

The minimum volume of an expansion tank to be installed on a closed circuit can be calculated using the following formula:

$$V=2 \times V_{tot} \times (P_{t \min} - P_{t \max})$$

where

V_{tot} = vol. circuit total (in litres)

$P_{t \min/\max}$ = specific weight at the minimum/maximum temperature reached by the water [kg/dm³].

The specific weight values at different temperatures for glycol percentage values are given in the table.

% glycol	Temperature [°C]						
	-10	0	10	20	30	40	50
0%	1.0024	1.0008	0.9988	0.9964	0.9936	0.9905	0.9869
10%	1.0177	1.0155	1.0130	1.0101	1.0067	1.0030	0.9989
20%	1.0330	1.0303	1.0272	1.0237	1.0199	1.0156	1.0110
30%	1.0483	1.0450	1.0414	1.0374	1.0330	1.0282	1.0230

⚠ Caution: When filling the system, take into account the capacity of the expansion vessel as well.

3.4 Electrical circuit

3.4.1 Checks and connections

⚠ Before carrying out any operation on the electrical system, make sure that the appliance is disconnected from the electrical power supply.

All electrical connections must comply with the applicable regulations in force in the country of installation.

Initial checks

- 1) The power supply voltage and frequency must correspond to the values stamped on the chiller nameplate. The power supply characteristics must not deviate, even for brief periods, from the tolerance limits indicated on the electrical diagram, which are +/- 10% for the voltage; +/- 1% for the frequency.
- 2) The voltage must be supplied with phase and neutral conductors, and the latter must be connected to earth in its own cabin (TN system, or behalf of the supply company, TT system). The phase conductor and the neutral conductor are not interchangeable and must not be confused.
- 3) A differential thermal-magnetic switch suitable for the absorption specified on the data plate, with contact gap enabling complete disconnection in category III overvoltage conditions and complying with the regulations in force, must be installed between the power cable and the electric line. For the correct sizing of the switch, refer to the absorbed current specified on the appliance data plate. The chosen device must be lockable in the open position in case of maintenance.

Collegamento

- 1) The electrical power supply must be connected to the chiller using a 3-wire cable, comprising 2 phase conductors and an earth conductor. For minimum cable section, see par. 7.3.

- 2) Pass the cable through the cable entry on the rear panel of the machine and connect the phase and neutral to the terminals of the main isolator switch (QS); connect the earth wire to the earth terminal (PE)..

- 3) Ensure that supply cable has at its source protection against direct contact of at least IP2X or IPXXB.

- 4) On the supply line to the chiller, install a residual-current circuit breaker with a trip rating of (RCCB - IDn = 0.3A), with the current rating indicated in the reference electrical diagram, and with a short circuit current rating appropriate to the short circuit fault current existing in the machine installation area.

The nominal current I_n of the magnetic circuit breaker must be equal to the FLA with an intervention curve type D.

- 5) Max. grid impedance value = 0.274 ohm.

Subsequent checks

Check that the machine and the auxiliary equipment are earthed and protected against short circuit and/or overload.

⚠ Once the unit has been connected and the upstream main switch closed (thereby connecting the power supply to the machine), the voltage in the electrical circuit will reach dangerous levels. Maximum caution is required!

3.4.2 General alarm

All the chillers are equipped with an alarm signalling system (see electrical diagram), comprised of a switching free contact in a terminal block: this may be used for the connection of an external audible or visual alarm, or used to provide an input signal for a logic control system such as a PLC.

3.4.3 ON/OFF remoto

All the chillers can be connected to a remote ON/OFF control.

See the electrical diagram for the connection of the remote ON-OFF contact.

4 Control

4.1 Control panel

Fig.1



QS Main power switch.



UP button: press to increment the value of a selected editable parameter.



DOWN button: press to decrement the value of a selected editable parameter.



ESC button : to exit without saving;
returns to the previous level;
PRESSED FOR 5s. ALARM RESET.



SET button : to exit and saving/ confirm the value;
go to the next level;
enter on Set Menu;
PRESSED FOR 5s. START CHILLER.



Alarm ON (led on: red)

H1 alarms are present.



Pump

4.2 Starting the chiller

- Connect the power supply to the machine by turning the main isolator switch QS to ON.
- Press the button **set** to start up.
- Set the desired temperature on the controller. (par. 4.5.1)

4.2.1 Adjustments at commissioning

- The chiller is set for operation at a default temperature of 12 °C with a differential of 3 °C; to adopt a new setting, see heading 4.5.
- Regulation of th pump (only for water version)
Verify correct operation of the pump, using the pressure gauge (read P1 and P0) and checking the pressure limit values (Pmax and Pmin) indicated on the pump data plate.

P1 = pressure with pump ON

P0 = pressure with pump OFF

$P_{min} < (P1 - P0) < P_{max}$

- Example n°1.

Conditions:

closed circuit, pressure P0 = 2 bar

pump data plate values: Pmin 1 bar/ Pmax 3 bar

adjust the valve outlet to give a pressure of 3 bar $< P1 < 5$ bar

- Example n°2.

Conditions:

open circuit, pressure P0 = 0 bar

pump data plate values: Pmin 1 bar/ Pmax 3 bar

adjust the valve outlet to give a pressure of 1 bar $< P1 < 3$ bar

- Verify correct operation of the pump similarly under normal running conditions.

Check also that the amperage of the pump is within the limits indicated on the data plate.

- Switch off the chiller and proceed to top up the hydraulic circuit at the "SET" temperature.

- Check that the temperature of the "treated" water does not fall below 5 °C and that the ambient temperature in which the hydraulic circuit operates does not fall below 5 °C. If the temperature is too low, add the appropriate quantity of glycol, as explained under heading 3.3.2

4.3 Stopping the chiller

When chiller operation is no longer required, turn the chiller off as follows: turn the On/Off [S1] switch to Off.

Do not turn off the main switch QS to ensure that any antifreeze protection devices will still receive electrical power

4.4 Parameter settings

General

There are two levels of protection for parameters:

- Direct (D): with immediate access, **User-changeable**;
- Password protected (U): password required for access; **Factory-set**

parameters.(do not change).

4.4.1 Chiller parameters

PARAMETER	CODE	TYPE	DEFAULT
Unit of measurement.	$[- F$	D	OFF
Remote on / off enabling (see para. 4.4.1.1)..	$r E$	D	0
Unit address *	$[F 3 0$	U	1
Baud rate * (see para. 4.4.1.2)	$[F 3 1$	U	3
Protocol modbus *	$[F 3 2$	U	1
Alarm relay management (see para. 4.4.1.3)	$r R L$	D	0
Supervisor on / off enabling *	$S U P$	D	OFF
Restore default parameters	$d E F$	D	OFF

* Optional parameter

4.4.1.1 Remote On / Off mode

0	Remote On/Off disabled
1	Remote On/Off enabled together with local On/Off. In case of loss of power, or the main switch is turned off, then, on return of power the chiller must be restarted locally.
2	Remote On/Off only, local On/Off disabled

4.4.1.2 Baud rate (Optional)

1	2400	3	9600	5	38400	7	115200
2	4800	4	19200	6	57600		

4.4.1.3 Alarm relay management

0	Relay normally deactivated, excited by an alarm.
1	Relay normally excited (also with control OFF), deactivated by an alarm.
2	Relay normally excited (only with control ON), deactivated by an alarm or with control OFF.

4.4.2 Temperature control

PARAMETER	CODE	TYPE	DEFAULT
Temperature control set point	$S E t$	D	C° 12.0
			F° 53.6
Temperature control set point " $[P t = 0 n$ "	$S E t$	D	C° 20.0
			F° 68.0

PARAMETER	CODE	TYPE	DEFAULT	
Temperature control differential (NOT visible with code "CPt = On")	dIFI	D	C°	3
			F°	5.4

4.4.3 Energy saving temperature control

PARAMETER	CODE	TYPE	DEFAULT	
energy saving enable	ESE	D	OFF	
Set energy saving	SEt.E5	D	C°	20.0
			F°	68.0

4.4.4 Compressor parameters

PARAMETER	CODE	TYPE	DEFAULT	
Minimum 'On' time.	dAS	F	2	
Minimum time between two compressor switch-ons.	dES	F	5	
Compressor hour counter 1	AbC1	D	0	

4.4.5 General parameters

PARAMETER	CODE	TYPE	DEFAULT	
precision control enable	CPt	U	OFF	

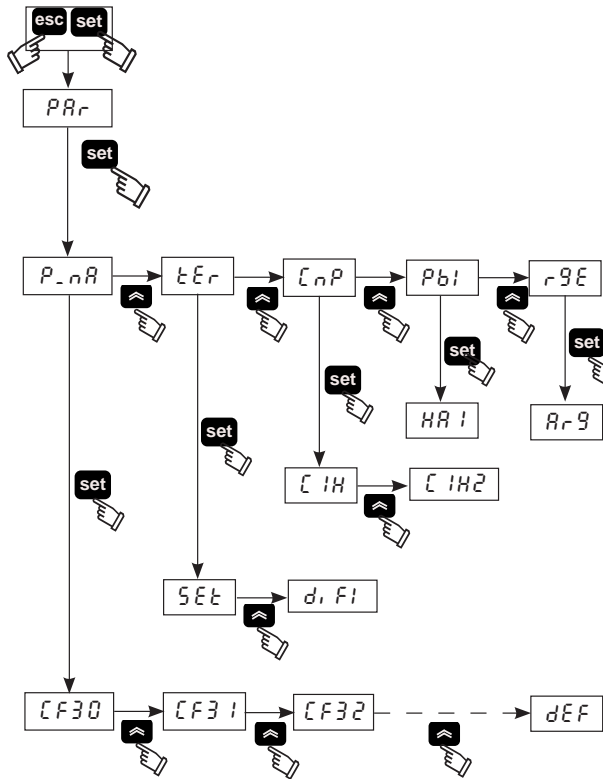
4.4.6 B1, B2 sensor parameters

PARAMETER	CODE	TYPE	DEFAULT	
High temperature alarm (water)	HA1	D	C°	60
			F°	140
Low temperature alarm (water)	LA1	U	C°	-20
			F°	-4
High temperature alarm (evaporator)	HA2	U	C°	60
			F°	140
Low temperature alarm (evaporator)	LA2	U	C°	3
			F°	37.4

4.5 Change parameters

4.5.1 Parameter (SEt / dIFI / dEF)

Fig.2



4.5.2 Water temperature setting (see fig.1/2)

1. Turn the main switch (QS) to "ON" and wait for the "OFF" visualization.
2. Press the buttons "esc" "set" together to enter on the parameter type "D".
3. Select the parameter "PAR" using "⏴" and "⏵" buttons and press the button "set" to enter.
4. Select the parameter "tEr" using "⏴" and "⏵" buttons and press the button "set" to enter.
5. Select the parameter "SEt" using "⏴" and "⏵" buttons and press the button "set" to enter.
6. Change the value using "⏴" and "⏵" buttons and press the but-

ton "set" to confirm and exit.

7. Press the button "set" three times to exit.

4.5.3 Differential setting (see fig.1/2)

1. Turn the main switch (QS) to "ON" and wait for the "OFF" visualization.
2. Press the buttons "esc" "set" together to enter on the parameter type "D"
3. Select the parameter "PAR" using "⏴" and "⏵" buttons and press the button "set" to enter.
4. Select the parameter "tEr" using "⏴" and "⏵" buttons and press the button "set" to enter.
5. Select the parameter "dIFI" using "⏴" and "⏵" buttons and press the button "set" to enter.
6. Change the value using "⏴" and "⏵" buttons and press the button "set" to confirm and exit.
7. Press the button "set" three times to exit.

4.5.4 Restore default parameters (see fig.1/2)

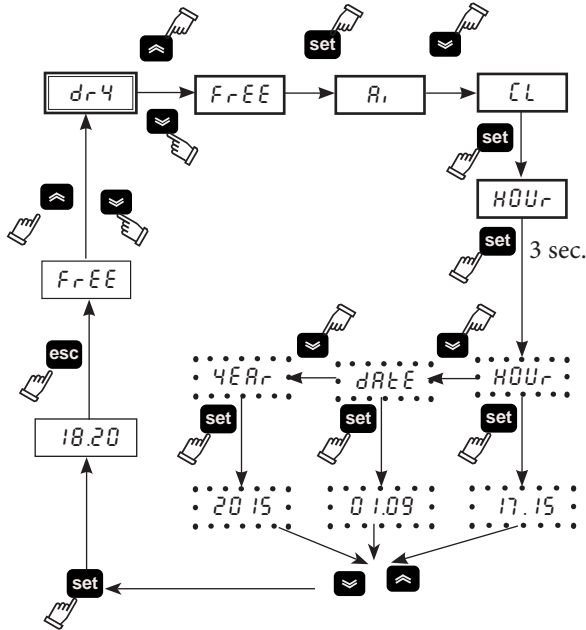
1. Turn the main switch (QS) to "ON" and wait for the "OFF" visualization.
2. Press the buttons "esc" "set" together to enter on the parameter type "D"
3. Select the parameter "PAR" using "⏴" and "⏵" buttons and press the button "set" to enter.
4. Select the parameter "P_nA" using "⏴" and "⏵" buttons and press the button "set" to enter.
5. Select the parameter "dEF" using "⏴" and "⏵" buttons and press the button "set" to enter.
6. Change the value "OFF" to "On" using "⏴" and "⏵" buttons and press the button "set" to confirm and exit.
7. Press the button "set" three times to exit.

4.6 Setting clock/date.

(see fig. 1/3)

1. Press the buttons " \uparrow " " \downarrow ", together to enter in the menu "FrEE".
2. Press the button "set" to enter in the menu "A1".
3. Press the button " \downarrow " to enter in the il menu "CL".
4. Press the button "set" to enter and visualize the parameter "HOUR".
5. Press the button "set" until the flashes of the parameter "HOUR".
6. Select the flashing parameter "HOUR"/"DATE"/"YEAR" using the button " \downarrow " and press "set" to enter.
7. Change the flashing value using the buttons " \uparrow " and " \downarrow " (up and down) and press the button "set" to confirm.
8. Press the button "esc" to return to the menu "FrEE".
9. Press the buttons " \uparrow " " \downarrow " together to exit.

Fig.3



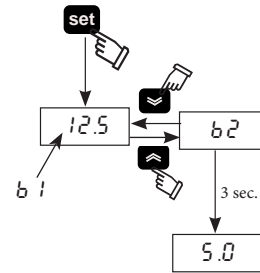
The memory of the "clock / date" has a maximum duration of three days, so if the controller is left without power for more than three days, the data set hour / month / year are lost. Adjust the clock at the start up of the machine, and whenever neces-

sary.

4.7 Visualization of temperature probes B1,B2

(see fig.1/4)

Fig.4

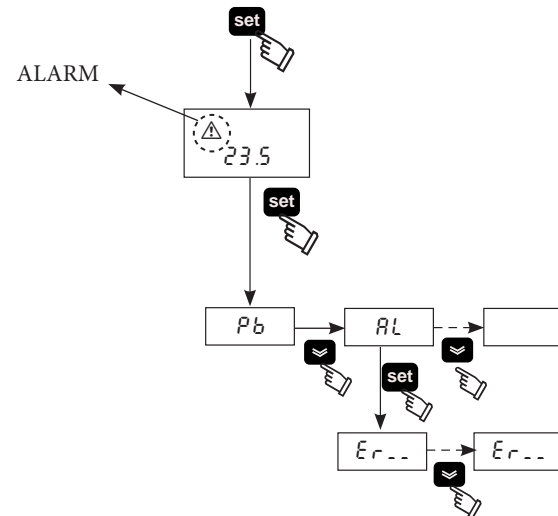


1. Turn the main switch (QS) to "ON" and wait for the "OFF" visualization.
2. Press the button "set" to start up.
3. The display shows the temperature of the probe B1.
4. Using " \uparrow " and " \downarrow " buttons select the probe (B2), wait for 3 seconds to see the temperature value.
5. Press the button "esc" to exit

4.8 Alarms management

(see fig.1/5)

Fig.5



1. Press the button "set" to start up.
2. Alarm ON (led on: red).

3. Press the button "set" to enter in the menu, using " \uparrow " and " \downarrow " buttons select the parameter "AL".
4. Press the button "set" to see the alarm code.
5. Press the button " \downarrow " to see the next code.
6. Press the button "esc" to exit.

4.8.1 Analog /Digital input alarms

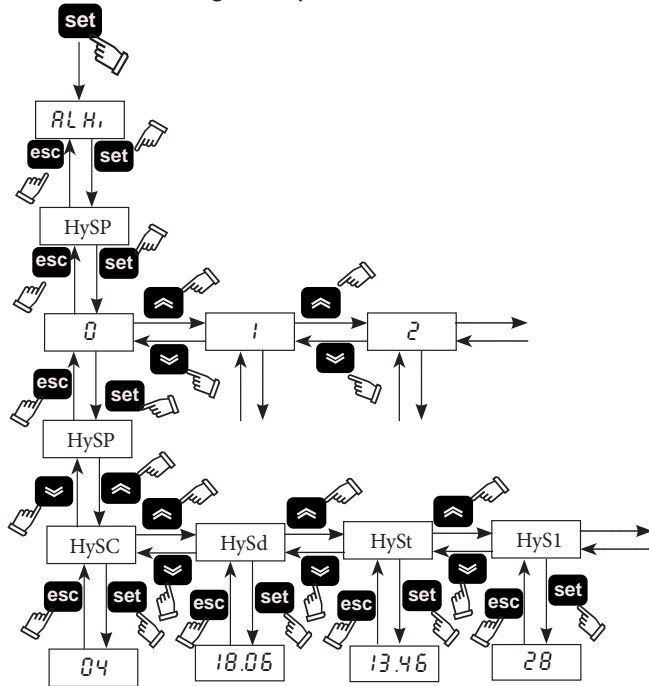
CODICE	DESCRIZIONE	AZIONE	RESET
Er01	Sensor B1 cutout or broken	Alarm	A
Er02	Sensor B2 cutout or broken	Alarm	A
Er03	Sensor B3 cutout or broken	Alarm	A
Er04	High pressure	Alarm	M
Er05	Low pressure	Alarm	M
Er06	Pump thermal cutout	Alarm	M
Er07	Low water level	Alarm	M
Er08	High pressure trasducer cutout or broken	Alarm	A
Er10	Sensor B4 cutout or broken	Warning	M
Er12	Compressor thermal *	Alarm	M
Er14	High temperature sensor B1	Alarm	A
Er15	Low temperature sensor B1	Alarm	A
Er16	High temperature sensor B2	Alarm	A
Er17	Low temperature sensor B2	Alarm	A
Er18	High temperature sensor B3	Alarm	A
Er19	Low temperature sensor B3	Alarm	A
Er20	Antifreeze	Alarm	A
Er21	Exceeded compressor working hours	Warning	A
Er23	Phase monitor	Alarm	M
Er24	Exceeded unit working hours	Warning	A
Er25	Communication expansion	Alarm	A
Er26	Controller memory	Warning	A

* (Only oil model)

If the evaporator temperature falls below 5°C for more than 120s then an alarm "Er12" will occur, blocking the unit.

Press the button "esc" to reset alarms (5sec).

4.9 Alarm/Warning history



Menu	Code	DESCRIPTION
ALHi	HySP	Alarm number
	HySC	See alarm code
	HySd	See day and month of the alarm (if the clock option is present)
	HySt	See hour and minutes of the alarm (if the clock option is present)
	HyS1	b1 temperature at time of the alarm
	HyS2	b2 temperature at time of the alarm
	HyS3	SET conditions at time of the alarm

Press the button **set** to enter in the menu, using the buttons **↵** and **⏴** select the parameter "ALHi".

Press the button **set** to enter in the menu, using the buttons **↵** and **⏴** select the parameter "HySP".

Press the button **set** to enter in the menu, using the buttons **↵** and **⏴** select the alarm number insert (0,1,2.....39) and confirm with **set** (the number 0 is the last alarm started).

"HySP" appears again, press **set** to enter and see the date of the alarm: "HySC" code (es:HP), "HySd" Date (day, month), "HySt" hour (hour, minutes), "HyS1" "HyS2" "HyS3" sensor b1, b2 and set when the alarm occurred.

Press **esc** to exit.

4.10 Automatic restart

In the event of a power failure, when power is restored the chiller will assume the On-Off status held at the moment the power was lost.

5 Maintenance

- The machine is designed and built to guarantee continuous operation; however, the life of its components depends on the maintenance performed.
- When requesting assistance or spare parts, identify the machine (model and serial number) by reading the dataplate located on the unit.

5.1 General instructions

⚠ Before performing any maintenance, make sure the power to the refrigerator is disconnected.

ℹ Always use the Manufacturer's original spare parts: otherwise the Manufacturer is relieved of all liability regarding machine malfunctioning.

ℹ In case of refrigerant leakage, contact qualified and authorized personnel.

ℹ The Schrader valve must only be used in case of machine malfunction: otherwise any damage caused by incorrect refrigerant charging will not be covered by the warranty.

5.2 Preventive maintenance

To guarantee lasting maximum chiller efficiency and reliability, carry out:

- 🕒 every 4 months** - clean the condenser fins and make sure compressor electrical absorption is within the dataplate values;
- 🕒 Every 3 years** - installation of kit for maintenance every 3 years.(par.7.5)
 - **kit for maintenance every 3 years;**
 - **service kit;**
 - **individual spare parts.**

5.3 Refrigerant


🕒 Charging: any damage caused by incorrect charging carried out by unauthorized personnel will not be covered by the warranty.

ℹ The equipment contains fluorinated greenhouse gases. At normal temperature and pressure, the R407C refrigerant is a colourless gas classified in SAFETY GROUP A1 - EN378 (group 2 fluid according to Directive PED 97/23/EC); GWP (Global Warming Potential) = 1774.

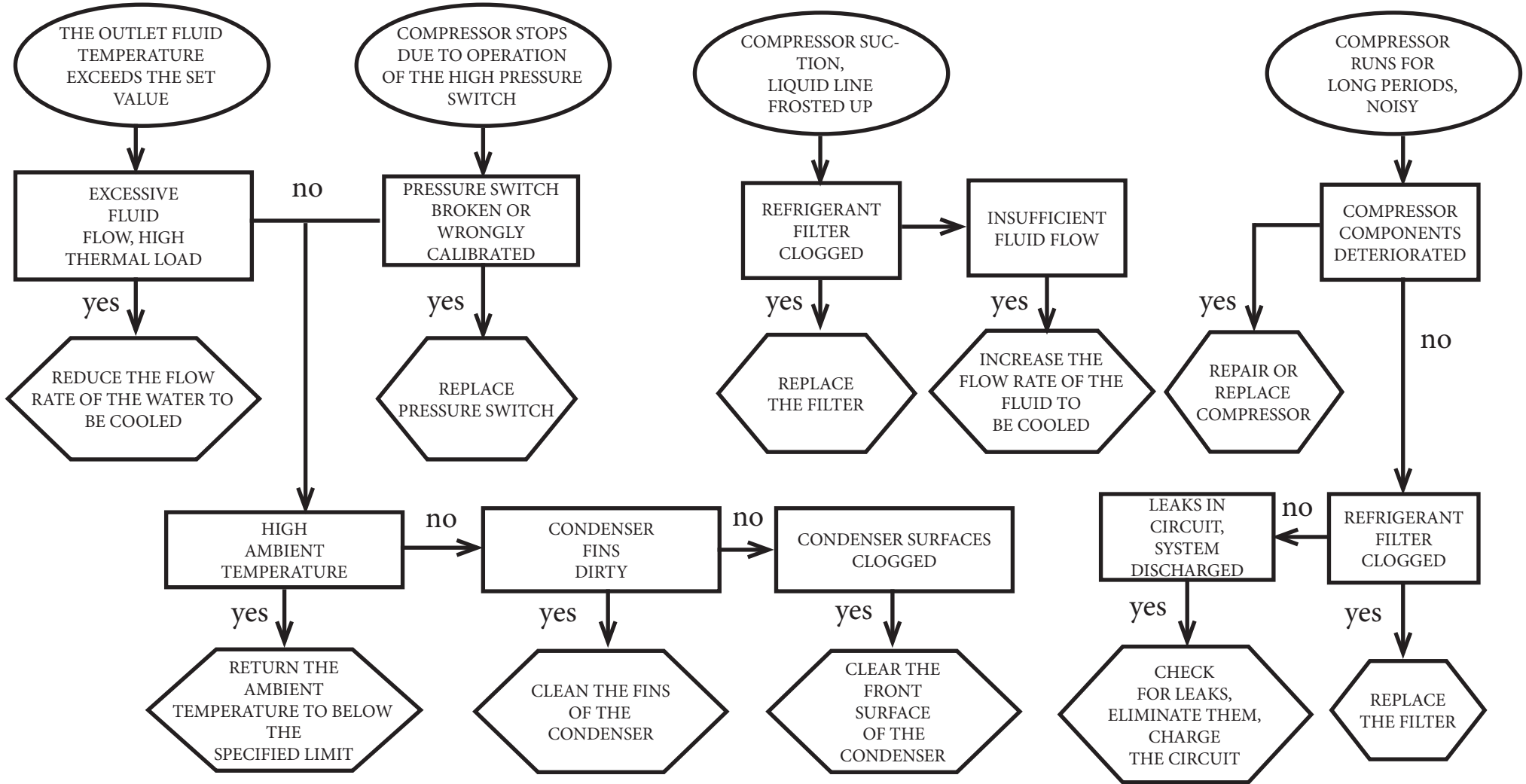
⚠ In case of refrigerant leakage, air the room.

5.4 Dismantling

The refrigerant and the lubricating oil contained in the circuit must be recovered in conformity with current local environmental regulations. The refrigerant fluid is recovered before final scrapping of the equipment ((EU) No. 517/2014 art.8).

	Recycling Disposal
frame and panels	steel/epoxy resin polyester
tank	aluminium/copper/steel
pipes/collectors	copper/aluminium/carbon steel
pipe insulation	NBR rubber
compressor	steel/copper/aluminium/oil
condensator	steel/copper/aluminium
pump	steel/cast iron/brass
fan	aluminium
refrigerant	R407C (HFC)
valve	brass/copper
electrical cable	copper/PVC

6 Troubleshooting



Índice





1	Seguridad	1
1.1	Importancia del manual.....	1
1.2	Señales de advertencia.....	1
1.3	Instrucciones de seguridad.....	1
1.4	Riesgos residuales.....	1
2	Introducción	2
2.1	Transporte.....	2
2.2	Traslado.....	2
2.3	Inspección.....	2
2.4	Almacenaje.....	2
3	Instalación	2
3.1	Espacio operativo.....	2
3.2	Versiones.....	2
3.3	Circuito hidráulico.....	2
3.4	Circuito eléctrico.....	3
4	Control	4
4.1	Panel de control.....	4
4.2	Encendido del enfriador.....	4
4.3	Parada del enfriador.....	4
4.4	Ajuste de parámetros.....	4
4.5	Cambio de parámetros.....	5
4.6	Ajuste del reloj/calendario.....	6
4.7	Visualización de las sondas de temperatura B1,B2.....	6
4.8	Gestión de alarmas.....	6
4.9	Reinicio automático.....	6
5	Mantenimiento	7
5.1	Advertencias generales.....	7
5.2	Mantenimiento preventivo.....	7
5.3	Refrigerante.....	7
5.4	Desguace.....	7
6	Solución de problemas	8
7	Apéndice	
7.1	Leyenda	
7.2	Esquema de instalación	
7.3	Datos técnicos	
7.4	Dibujos de dimensiones	
7.5	Lista de repuestos	
7.6	Circuitos de refrigerante	
7.7	Esquema eléctrico	

1 Seguridad


1.1 Importancia del manual


- Consérvelo durante toda la vida útil del equipo.
- Léalo antes de realizar cualquier operación.
- Puede sufrir modificaciones: para una información actualizada, consulte la versión instalada en el equipo.

1.2 Señales de advertencia



	Instrucción para evitar peligros personales
	Instrucción para evitar que se dañe el equipo.
	Se requiere la intervención de un técnico experto y autorizado.
	El significado de los símbolos utilizados se indica en el apartado 7.

1.3 Instrucciones de seguridad

 Todas las unidades están provistas de un seccionador eléctrico que permite trabajar en condiciones de seguridad. Utilícelo siempre durante el mantenimiento.

 El manual está destinado al usuario final y sólo para las operaciones que pueden realizarse con los paneles cerrados. Las operaciones que requieren la apertura con herramientas deben ser efectuadas por personal experto y calificado

 No supere los límites de proyecto que se indican en la placa de características.

  El usuario debe evitar cargas distintas de la presión estática interna. En caso de riesgo de fenómenos sísmicos, es necesario proteger adecuadamente la unidad.

La unidad debe utilizarse exclusivamente para uso profesional y con el objeto para el cual ha sido diseñada.

El usuario debe analizar todos los aspectos de la aplicación en que el producto se ha instalado, seguir todas las normas industriales de seguridad aplicables y todas las prescripciones relativas al producto descritas en el manual de uso y en la documentación redactada que se adjunta a la unidad.



La alteración o sustitución de cualquier componente por parte del personal no autorizado, así como el uso inadecuado de la unidad eximen de toda responsabilidad al fabricante y provocan la anulación de la garantía.



El fabricante declina toda responsabilidad presente o futura por daños personales o materiales derivados de negligencia del personal, incumplimiento de las instrucciones dadas en este manual o inobservancia de las normativas vigentes sobre la seguridad de la instalación.

El fabricante no asume ninguna responsabilidad por daños debidos a alteraciones y/o modificaciones del embalaje.

El usuario es responsable que las especificaciones suministradas para seleccionar la unidad o sus componentes y/o opciones sean exhaustivas para un uso correcto o razonablemente previsible de la misma unidad o de los componentes.

ATENCIÓN: El fabricante se reserva el derecho de modificar sin previo aviso la información de este manual. Para que la información resulte completa, se recomienda al usuario consultar el manual a pie de máquina.

  El acceso al aparato no está permitido para el público en general.

  Este dispositivo no debe ser utilizado por niños, personas con discapacidad física, sensorial o mental, ni personas que no tengan la experiencia y conocimientos necesarios.

  Los niños no deben jugar con el dispositivo.

  La limpieza y el mantenimiento no deben ser realizados por niños.

  Si el cable de suministro se daña, debe sustituirlo un técnico cualificado con el fin de evitar riesgos.

1.4 Riesgos residuales

Las operaciones de instalación, puesta en marcha, apagado y mantenimiento del equipo deben realizarse de total conformidad con lo indicado en la documentación técnica del equipo y de manera tal que no se genere ninguna situación de riesgo.

Los riesgos que no han podido eliminarse con recursos técnicos de diseño se indican en la tabla siguiente.

parte del equipo	riesgo residual	modo	precauciones
batería de intercambio térmico	pequeñas heridas cortantes	contacto	evitar el contacto, usar guantes de protección
rejilla del ventilador y ventilador	lesiones	introducción de objetos puntiagudos en la rejilla mientras el ventilador está funcionando	no introducir ni apoyar ningún objeto en la rejilla de los ventiladores
interior del equipo: compresor y tubo de salida	quemaduras	contacto	evitar el contacto, usar guantes de protección

parte del equipo	riesgo residual	modo	precauciones
interior del equipo: partes metálicas y cables eléctricos	intoxicación, electrocución, quemaduras graves	defecto de aislamiento de los cables de alimentación que llegan al cuadro eléctrico del equipo; partes metálicas en tensión	protección eléctrica adecuada de la línea de alimentación; conectar cuidadosamente a tierra las partes metálicas
exterior del equipo: zona circundante	intoxicación, quemaduras graves	incendio por cortocircuito o sobrecalentamiento de la línea de alimentación del cuadro eléctrico del equipo	sección de los cables y sistema de protección de la línea de alimentación eléctrica conformes a las normas vigentes

2 Introducción

Los motores del compresor, de la bomba y del ventilador están dotados de una protección térmica contra eventuales sobrecalentamientos.

2.1 Transporte

El equipo embalado debe mantenerse:

- en posición vertical;
- protegido de los agentes atmosféricos;
- protegido de golpes.

2.2 Traslado

Utilice una carretilla elevadora con horquillas, adecuada para el peso del equipo, y evite todo tipo de golpes.

2.3 Inspección

- Todos los equipos salen de fábrica ensamblados, cableados, cargados con refrigerante y aceite, y probados;
- Controle el equipo a su llegada y notifique inmediatamente al transportista si nota algún inconveniente;
- Desembale el equipo lo más cerca posible del lugar de instalación.

2.4 Almacenaje

- Conserve el equipo en un lugar limpio y protegido de la humedad y la intemperie;
- no apilar las unidades;
- seguir las instrucciones presentes en el embalaje.

3 Instalación

☞ Para realizar correctamente la instalación, siga las instrucciones dadas en los apartados 7.2, 7.3 y 7.7.

⚠ **Se recomienda que todos los enfriadores incorporen un filtrado previo adecuado cerca de la entrada de agua/ aceite.**

⚠ **Líquidos que pueden enfriarse**

Sólo pueden enfriarse líquidos que sean compatibles con los materiales empleados.

Algunos de los líquidos usados son **agua o mezclas de agua y etilenglicol o propilenglicol / aceite.**

No se deben enfriar líquidos inflamables.

Si los líquidos a refrigerar contienen sustancias peligrosas (como por ejemplo glicol etilénico/propilénico), hay que recoger el líquido derramado en una zona de fuga porque es perjudicial para el medio ambiente. En caso de vaciado del circuito hidráulico, hay que cumplir con las normas vigentes y evitar la liberación del líquido al medio ambiente.

3.1 Espacio operativo

Deje un espacio libre de 1,5 m todo alrededor del equipo.

Dejar al menos 2 metros de espacio encima del refrigerador en los modelos de expulsión vertical del aire de condensación.

3.2 Versiones

Versión por aire

Ventiladores axiales (A)

No cree situaciones que permitan la recirculación del aire de enfriamiento. No obstruya las rejillas de ventilación.

En las versiones con ventiladores axiales, se desaconseja canalizar el aire agotado.

3.3 Circuito hidráulico

3.3.1 Controles y conexionado

☞ Antes de conectar el enfriador y llenar el circuito, asegurarse de que los tubos estén limpios. De lo contrario, lavarlos cuidadosamente.

☞ Si el circuito hidráulico es de tipo cerrado, bajo presión, se aconseja instalar una válvula de seguridad calibrada a: 6 bar (Versión por agua);

☞ (Versión enfriada por agua) Se recomienda instalar filtros de red en los tubos de entrada y salida del agua.

☞ (Versión enfriada por agua) Si el circuito hidráulico posee válvulas automáticas de corte, proteger la bomba con sistemas contra golpe de ariete.


☞ (Versión enfriada por agua) Si se vacía el circuito por paradas prolongadas, se recomienda añadir aceite lubricante en el rodete de la bomba para evitar su bloqueo en el arranque siguiente. En caso de bloqueo del rodete, desbloquéelo manualmente.

Quite la tapa posterior de la bomba y gire suavemente el ventilador de plástico. Si el eje siguiera bloqueado, quite el ventilador y actúe directamente en el eje. Una vez desbloqueado el rodete, vuelva a colocar el ventilador y la tapa.

Controles preliminares

- 1) Cerciorarse de que las válvulas de corte del circuito hidráulico estén abiertas.
- 2) Si el circuito hidráulico es cerrado, controlar que se haya instalado un vaso de expansión de capacidad adecuada. Ver el apartado 3.3.3.

Conexionado

- 1) Conectar el refrigerador de agua a los conductos de entrada y salida utilizando los correspondientes empalmes ubicados en la parte trasera de la unidad.
Se aconseja utilizar conexiones flexibles para quitar rigidez al sistema.
- 2) (Versión enfriada por agua) Llenar el circuito hidráulico utilizando la conexión de carga situada en la parte posterior del enfriador ().
- 3) (Versión enfriada por agua) El depósito está provisto de un purgador de aire que debe accionarse manualmente a la hora del llenado. Si el circuito hidráulico presenta puntos elevados, instalar una válvula de escape en ellos.
- 4) (Versión enfriada por agua) Se aconseja instalar válvulas de corte en la entrada y la salida del equipo para poder excluirlo del circuito en caso de mantenimiento.
- 5) (Versión enfriada por agua) Si el enfriador funciona con cuba abierta, la bomba se debe instalar en el tubo de admisión de la cuba y en el tubo de impulsión al enfriador.

Controles sucesivos (Versión enfriada por agua)

- 1) Controlar que el depósito y el circuito estén completamente llenos de agua y que se haya purgado todo el aire.
- 2) El circuito hidráulico debe mantenerse siempre lleno. Para ello se debe controlar y rellenar periódicamente, o bien instalar un dispositivo de llenado automático.

3.3.2 Agua y etilenglicol (Versión enfriada por agua)

ISI el equipo está instalado en el exterior, o en un local cubierto pero sin calefacción, durante las paradas en los meses más fríos el agua que está dentro del circuito se puede congelar.

Para evitarlo, es posible:

- dotar al enfriador de adecuadas protecciones antihielo suministradas como opcionales por el fabricante;
- descargar la instalación a través de la válvula correspondiente, en caso de paradas prolongadas;
- añadir un anticongelante al agua de circulación (ver tabla).

A veces, la temperatura de salida del agua exige el uso de etilenglicol para evitar la formación de hielo. Las proporciones adecuadas son:

Temperatura agua de salida [°C]	Etilenglicol (% vol.)	Temperatura ambiente
4	5	-2
2	10	-5
0	15	-7
-2	20	-10
-4	25	-12
-6	30	-15

3.3.3 Vaso de expansión (Versión enfriada por agua)

Para evitar que los aumentos o las disminuciones de volumen causados por las variaciones de temperatura dañen el equipo o el circuito, es conveniente instalar un vaso de expansión de capacidad adecuada. El vaso de expansión se instala siempre en el lado de aspiración de la bomba.

El volumen mínimo del vaso de expansión que se debe aplicar a un circuito cerrado se calcula con la fórmula siguiente:

$$V = 2 \times V_{tot} \times (P_t \text{ mín.} - P_t \text{ máx.})$$

donde

V_{tot} = volumen total del circuito (en litros)

$P_t \text{ mín./máx.}$ = peso específico a la temperatura mínima/máxima que puede alcanzar el agua [kg/dm³].

En la tabla siguiente se indican los pesos específicos en función de la temperatura y del porcentaje de glicol.

% glicol	Temperature [°C]						
	-10	0	10	20	30	40	50
0%	1.0024	1.0008	0.9988	0.9964	0.9936	0.9905	0.9869
10%	1.0177	1.0155	1.0130	1.0101	1.0067	1.0030	0.9989
20%	1.0330	1.0303	1.0272	1.0237	1.0199	1.0156	1.0110
30%	1.0483	1.0450	1.0414	1.0374	1.0330	1.0282	1.0230

⚠ Atención: Durante el llenado, tomar como referencia los datos de carga también del depósito de expansión.

3.4 Circuito eléctrico

3.4.1 Controles y conexionado

⚠ Antes de realizar cualquier operación en las partes eléctricas, cerciorarse de que no circule corriente.

Todas las conexiones eléctricas deben realizarse de conformidad con las disposiciones vigentes en el lugar de instalación.

Controles iniciales

- 1) La tensión y la frecuencia de red deben tener los valores indicados en la chapa de datos del enfriador. La tensión de alimentación no debe salirse en ningún momento de las tolerancias indicadas en el

esquema eléctrico, las cuales, salvo indicación diversa, son +/- 10% para la tensión y +/- 1% para la frecuencia.

- 2) La tensión debe suministrarse entre fase y neutro, y éste debe estar conectado a tierra en la propia cabina (sistema TN o, por parte de la compañía suministradora, sistema TT). El conductor de fase y el de neutro no deben intercambiarse entre sí.
- 3) Es necesario instalar un interruptor diferencial termomagnético que sea adecuado para la absorción que se especifica en la placa de datos, con un hueco de contacto que permita la desconexión total bajo condiciones de sobretensión de categoría III, y que cumpla la normativa vigente, entre el cable de alimentación y la línea eléctrica. Para el correcto dimensionamiento del interruptor, consulte la corriente absorbida que se especifica en la placa de datos del aparato. El dispositivo que se elija debe poder bloquearse en posición abierta en caso de mantenimiento.

Conexionado

- 1) La alimentación eléctrica de los enfriadores se realiza con un cable de tres conductores (dos polos más tierra). Para la sección mínima del cable, vea el apartado 7.3.
- 2) Pasar el cable por el sujetacables situado en el panel posterior del equipo, conectar la fase y el neutro a los bornes del seccionador general (QS) y la tierra al borne correspondiente (PE).
- 3) Instalar en el origen del cable de alimentación una protección contra contactos directos no inferior a IP2X o IPXXB.
- 4) En la línea de alimentación eléctrica del enfriador debe haber un interruptor automático con diferencial de (RCCB - IDn = 0.3A), la capacidad máxima indicada en el esquema eléctrico de referencia y un poder de corte adecuado a la corriente de cortocircuito existente en el lugar de instalación.
La corriente nominal "In" de dicho magnetotérmico debe ser igual a FLA y la curva de intervención de tipo D.
- 5) Valor máximo de la impedancia de red = 0,274 ohm.

Controles sucesivos

Comprobar que el equipo y los dispositivos auxiliares estén conectados a tierra y protegidos contra cortocircuitos y sobrecargas.

⚠ Una vez conectado el equipo, cuando se cierra el interruptor general de alimentación para energizarlo, la tensión en el circuito eléctrico alcanza valores peligrosos. ¡Se recomienda la máxima precaución!

3.4.2 Alarma general

Todos los enfriadores están dotados de indicación de alarma (véase el esquema eléctrico). La regleta tiene un contacto de conmutación libre donde puede conectarse una alarma centralizada exterior de tipo acústico, visual o incluida en un sistema lógico (por ejemplo un PLC).

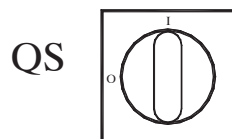
3.4.3 Encendido y apagado a distancia

Todos los enfriadores pueden dotarse de un mando de arranque y parada a distancia.
Para la conexión del contacto ON-OFF a distancia, véase el esquema

4 Control

4.1 Panel de control

Fig.1



QS Interruptor principal de potencia.

▲ Botón ARRIBA: púlselo para incrementar el valor de un parámetro editable seleccionado.

▼ Botón ABAJO: púlselo para reducir el valor de un parámetro editable seleccionado.

esc Botón ESC: para salir sin guardar.

Retorna al nivel anterior.

PULSADO DURANTE 5 seg. RESTABLECER

ALARMA.

set Botón AJUSTAR: para salir y guardar/ confirmar el valor. Ir al siguiente menú.

Acceder al menú de estado.

PULSADO DURANTE 5 seg. ENCENDER EL

ENFRIADOR.

⚠ Alarma ON (LED en: rojo)

Alarmas H1 presentes.

🌀 bomba

4.2 Encendido del enfriador

• Conecte el suministro eléctrico a la máquina girando el interruptor aislado principal QS a ON.

- Pulse el botón "set" para encenderla.
- Ajuste la temperatura de que desee en el controlador. (párr. 4.5.1)

4.2.1 Ajustes en la puesta en marcha

a) El enfriador está ajustado para funcionar a una temperatura pre-determinada de 12 °C con una diferencia de 3 °C; para adoptar un nuevo valor, consulte el párrafo 4.5.

b) Regulación de la bomba (solo para versión con agua)

Verifique el correcto funcionamiento de la bomba con el manómetro (lectura de P1 y P0) y compruebe los valores de límite de presión (Pmáx. y Pmín.) que se indican en la placa de datos de la bomba.

P1 = presión con la bomba en ON

P0 = presión con la bomba en OFF

Pmín. < (P1-P0) < Pmáx.

- Ejemplo n°1.

Condiciones:

circuito cerrado, presión P0 = 2 bar

valores de la placa de datos de la bomba: Pmín. 1 bar/ Pmáx.

3 bar

ajuste la salida de la válvula para dar una presión de 3 bar < P1 < 5 bar

- Ejemplo n°2.

Condiciones:

circuito abierto, presión P0 = 0 bar

valores de la placa de datos de la bomba: Pmín. 1 bar/ Pmáx.

3 bar

ajuste la salida de la válvula para dar una presión de 1 bar < P1 < 3 bar

c) Verifique el correcto funcionamiento de la bomba de manera similar en condiciones de operación normales.

Compruebe también que el amperaje de la bomba esté en los límites indicados en la placa de datos.

d) Apague el enfriador y procesa a llenar el circuito hidráulico a la temperatura de "AJUSTE".

e) Compruebe que la temperatura del agua "tratada" no cae por debajo de 5 °C y que la temperatura ambiente en que funciona el circuito hidráulico no cae por debajo de 5 °C. Si la temperatura es demasiado baja, utilice una cantidad adecuada de glicol, como se explica en el párrafo 3.3.2.

4.3 Parada del enfriador

Cuando no necesite que el enfriador esté en funcionamiento, apáguelo como se indica: ponga el interruptor On/Off [S1] en Off.

No apague el interruptor QS para que los dispositivos de protección anticongelación sigan recibiendo alimentación eléctrica.

4.4 Ajuste de parámetros

General

Hay dos niveles de protección para los parámetros:

- Directa (D): con acceso inmediato. **Cambiado por el usuario.**
- Protección con contraseña (U): acceso requerido con contraseña.

Parámetros ajustados de fábrica (no cambiar).

4.4.1 Parámetros del enfriador

PARÁMETRO	CÓDIGO	TIPO	PREDETERMINADO
Unidad de medida.	[- F	D	OFF
Activación on / off remota (consulte el párr. 4.4.1.1)	r E	D	0
Dirección de unidad *	[F 3 0	U	1
Baud rate * (consulte el párr. 4.4.1.2)	[F 3 1	U	3
Protocolo modbus *	[F 3 2	U	1
Gestión de relé de alarma (consulte el párr. 4.4.1.3)	r AL	D	0
Activación on / off Supervisor *	SUP	D	OFF
Restaurar parámetros predeterminados	d EF	D	OFF

* parámetro opcional

4.4.1.1 Modo remoto On / Off

0	On / Off remoto desactivado
1	On/Off remoto junto con On/Off local. En caso de pérdida de alimentación, o si se desconecta el interruptor principal, al recuperar la alimentación eléctrica el enfriador debe reiniciarse de forma local.
2	On/Off remoto solo, On/Off local desactivado

4.4.1.2 Baud rate (Opcional)

1	2400	3	9600	5	38400	7	115200
2	4800	4	19200	6	57600		

4.4.1.3 Gestión del relé de alarma

0	Relé normalmente desactivado, excitado por una alarma.
1	Relé normalmente excitado (también con control OFF), desactivado por una alarma.
2	Relé normalmente excitado (solo con control ON), desactivado por una alarma o con control OFF.

4.4.2 Control de temperatura

PARÁMETRO	CÓDIGO	TIPO	PREDETERMINADO	
Punto de ajuste del control de temperatura	SEt	D	C°	12.0
			F°	53.6
Punto de ajuste del control de temperatura "CPt=On"	SEt	D	C°	20.0
			F°	68.0
Diferencial de control de temperatura (No visible con el código de "CPt=On")	dIF1	D	C°	3
			F°	5.4

4.4.3 Control de temperatura con ahorro de energía

PARÁMETRO	CÓDIGO	TIPO	PREDETERMINADO	
activar ahorro de energía	ESE	D	OFF	
Ajustar ahorro de energía	SEt.E5	D	C°	20.0
			F°	68.0

4.4.4 Parámetros del compresor

PARÁMETRO	CÓDIGO	TIPO	PREDETERMINADO	
Tiempo 'On' mínimo.	dR5	F	2	
Tiempo mínimo entre dos encendidos del compresor.	dE5	F	5	
Contador horario 1 del compresor	RbC1	D	0	

4.4.5 Parámetros general

PARÁMETRO	CÓDIGO	TIPO	PREDETERMINADO	
activar control de la precisión	CPt	U	OFF	

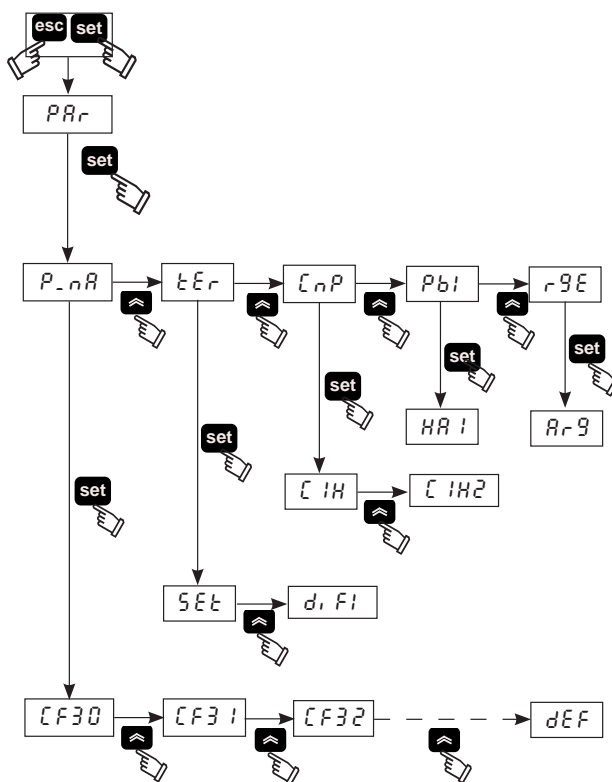
4.4.6 Parámetros del sensor B1, B2

PARÁMETRO	CÓDIGO	TIPO	PREDETERMINADO	
Alarma de alta temperatura (agua)	HA1	D	C°	60
			F°	140
Alarma de baja temperatura (agua)	LA1	U	C°	-20
			F°	-4
Alarma de alta temperatura (Evaporador)	HA2	U	C°	60
			F°	140
Alarma de baja temperatura (Evaporador)	LA2	U	C°	3
			F°	37.4

4.5 Cambio de parámetros

4.5.1 Parámetros (SEt / dIF1 / dEF)

Fig.2



4.5.2 Ajuste de temperatura (véase la fig. 1/2)

1. Sitúe el interruptor principal (QS) en "ON" y espere a que se visualice "OFF".
2. Pulse ambos botones "esc" "set" a la vez para acceder a los parámetros de tipo "D".
3. Seleccione el parámetro "PAR" con los botones "↕" y "↕", y pulse el botón "set" para acceder.
4. Seleccione el parámetro "tEr" con los botones "↕" y "↕", y pulse el botón "set" para acceder.
5. Seleccione el parámetro "SEt" con los botones "↕" y "↕", y pulse el botón "set" para acceder.
6. Cambie los valores con los botones "↕" y "↕", y pulse el botón "set" para confirmar y salir.

"set" para confirmar y salir.

7. Pulse el botón "esc" tres veces para salir.

4.5.3 Ajuste diferencial (véase fig.1/2)

1. Sitúe el interruptor principal (QS) en "ON" y espere a que se visualice "OFF".
2. Pulse ambos botones "esc" "set" a la vez para acceder a los parámetros de tipo "D".
3. Seleccione el parámetro "PAR" con los botones "↕" y "↕", y pulse el botón "set" para acceder.
4. Seleccione el parámetro "tEr" con los botones "↕" y "↕", y pulse el botón "set" para acceder.
5. Seleccione el parámetro "dIF1" con los botones "↕" y "↕", y pulse el botón "set" para acceder.
6. Cambie los valores con los botones "↕" y "↕", y pulse el botón "set" para confirmar y salir.
7. Pulse el botón "esc" tres veces para salir.

4.5.4 Parámetros predeterminados (véase fig.1/2)

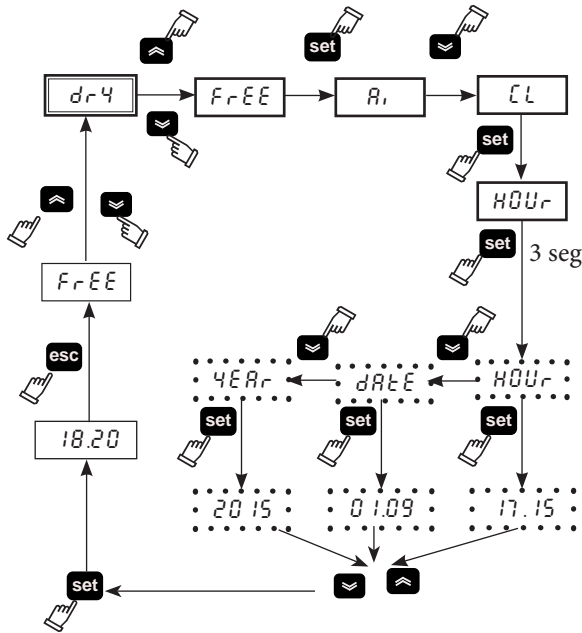
1. Sitúe el interruptor principal (QS) en "ON" y espere a que se visualice "OFF".
2. Pulse ambos botones "esc" "set" a la vez para acceder a los parámetros de tipo "D".
3. Seleccione el parámetro "PAR" con los botones "↕" y "↕", y pulse el botón "set" para acceder.
4. Seleccione el parámetro "P.nA" con los botones "↕" y "↕", y pulse el botón "set" para acceder.
5. Seleccione el parámetro "dEF" con los botones "↕" y "↕", y pulse el botón "set" para acceder.
6. Cambie los valores de "OFF" a "On" con los botones "↕" y "↕", y pulse el botón "set" para confirmar y salir.
7. Pulse el botón "esc" tres veces para salir.

4.6 Ajuste del reloj/calendario.

(consulte la fig. 1/3)

1. Pulse ambos botones “**⏪**” “**⏩**” para acceder al menú “FrEE”.
2. Pulse el botón “**set**” para acceder al menú “Ri”.
3. Pulse el botón “**⏩**” para acceder al menú “CL”.
4. Pulse el botón “**set**” para acceder y visualizar el parámetro “HOUR”.
5. Pulse el botón “**set**” hasta que destelle el parámetro “HOUR”.
6. Seleccione el parámetro destellante “HOUR”/“DATE”/“YEAR” con el botón “**⏩**” y pulse “**set**” para acceder.
7. Cambie el valor que destella con los botones “**⏪**” y “**⏩**” (arriba y abajo), y pulse el botón “**set**” para confirmar.
8. Pulse el botón “**esc**” para volver al menú “FrEE”.
9. Pulse ambos botones “**⏪**” “**⏩**” para salir.

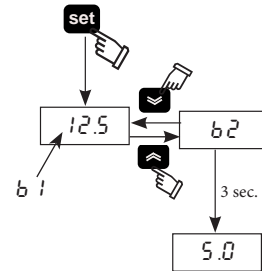
Fig. 3



4.7 Visualización de las sondas de temperatura B1,B2

(véase fig.1/3)

Fig.3

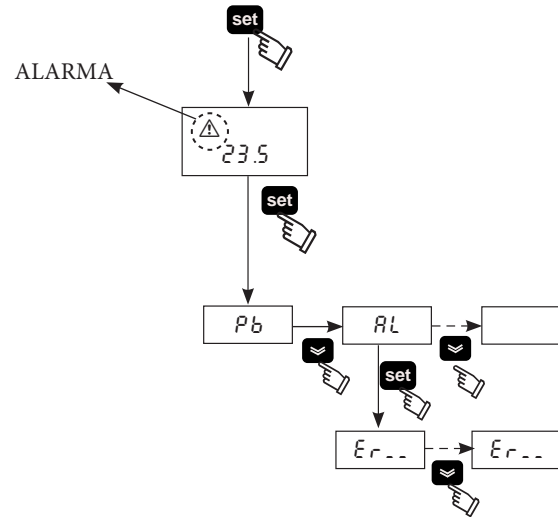


1. Sitúe el interruptor principal (QS) en “ON” y espere a que se visualice “OFF”.
2. Pulse el botón “**set**” para encenderla.
3. El display muestra la temperatura de la sonda B1.
4. Utilice los botones “**⏪**” y “**⏩**” para seleccionar el sensor (B2) y espere 3 segundos para ver el valor de temperatura.
5. Pulse el botón “**esc**” para salir.

4.8 Gestión de alarmas

(véase fig.1/4)

Fig.4



1. Pulse el botón “**set**” para encenderla.
2. Alarma ON (LED en: rojo)
3. Pulse el botón “**set**” para acceder al menú, utilice los botones “**⏪**”

- ” y “**⏩**” para seleccionar el parámetro “AL”.
4. Pulse el botón “**set**” para mostrar el parámetro de alarmas.
5. Pulse el botón “**⏩**” para mostrar el parámetro de alarmas siguiente.
6. Pulse el botón “**esc**” para salir.

4.8.1 Alarmas de entrada analógica/digital

CÓDIGO	DESCRIPCIÓN	ACCIÓN	RESTABLECER
Er01	Sensor B1 desconectado o roto	Alarma	A
Er02	Sensor B2 desconectado o roto	Alarma	A
Er03	Sensor B3 desconectado o roto	Alarma	A
Er04	Alta presión	Alarma	M
Er05	Baja presión	Alarma	M
Er06	Desconexión térmica de bomba	Alarma	M
Er07	Nivel bajo de agua	Alarma	M
Er08	Transductor de alta presión desconectado o roto	Alarma	A
Er10	Sensor B4 desconectado o roto	Advertencia	M
Er12	Compresor térmico *	Alarma	M
Er14	Sensor B1 con alta temperatura	Alarma	A
Er15	Sensor B1 con baja temperatura	Alarma	A
Er16	Sensor B2 con alta temperatura	Alarma	A
Er17	Sensor B2 con baja temperatura	Alarma	A
Er18	Sensor B3 con alta temperatura	Alarma	A
Er19	Sensor B3 con baja temperatura	Alarma	A
Er20	Anticongelante	Alarma	A
Er21	Horas de trabajo del compresor excedidas	Advertencia	A
Er23	Monitor de fase	Alarma	M
Er24	Horas de trabajo de la unidad excedidas	Advertencia	A
Er25	Expansión de comunicación	Alarma	A
Er26	Memoria del controlador	Advertencia	A

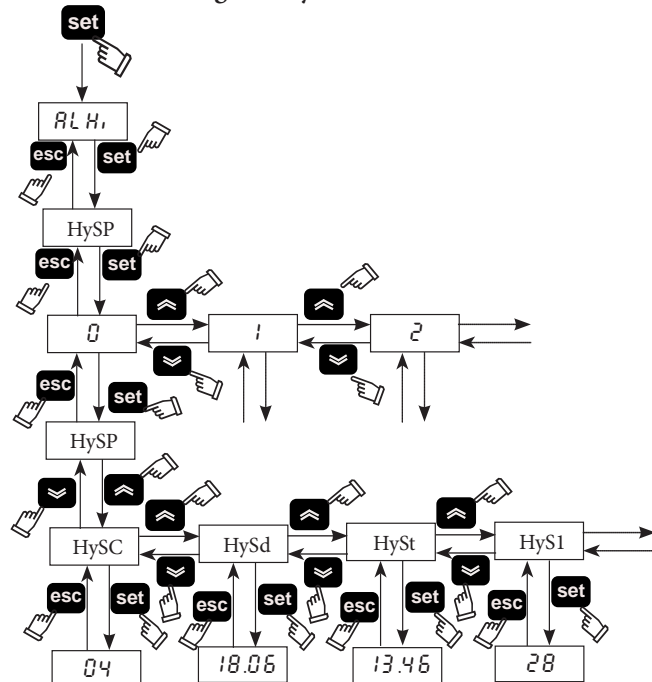
La memoria del “reloj / calendario” tiene una duración máxima de tres días, por lo que si el controlador no recibe alimentación eléctrica durante más de tres días, se perderán los datos de hora / mes / año.
Ajuste el reloj cuando empiece a utilizar el dispositivo y siempre que sea necesario.

* (Sólo para modelos de aceite)
Si la temperatura en el evaporador desciende de los 5°C, después de

120s se dispara la alarma “Error”, que detiene la máquina.

⚠ Pulse el botón “esc” para anular las alarmas (5 seg).

4.9 Alarm/Warning history



Menu	Code	DESCRIPTION
ALHi	HySP	Alarm number
	HySC	See alarm code
	HySd	See day and month of the alarm (if the clock option is present)
	HySt	See hour and minutes of the alarm (if the clock option is present)
	HyS1	b1 temperature at time of the alarm
	HyS2	b2 temperature at time of the alarm
	HyS3	SET conditions at time of the alarm

Press the button “set” to enter in the menu, using the buttons “>>”

”and “<<” select the parameter “ALHi”.

Press the button “set” to enter in the menu, using the buttons “>>”

”and “<<” select the parameter “HySP”.

Press the button “set” to enter in the menu, using the buttons “>>”

”and “<<” select the alarm number insert (0,1,2.....39) and confirm with “set” (the number 0 is the last alarm started).

“HySP” appears again, press “set” to enter and see the date of the alarm: “HySC” code (es:HP), “HySd” Date (day, month), “HySt” hour (hour, minutes), “HyS1” “HyS2” “HyS3” sensor b1, b2 and set when the alarm occurred.

Press “esc” to exit.

4.10 Reinicio automático

En el caso de una interrupción del suministro eléctrico, cuando se restablece la alimentación, el enfriador asume el estado On-Off que tenía en el momento de dicha interrupción.

5 Mantenimiento

- El equipo ha sido diseñado y realizado para funcionar de manera continua. No obstante, la duración de sus componentes depende directamente del mantenimiento que reciban.
- Para solicitar asistencia o repuestos, comuníquese el modelo y el número de serie indicados en la placa de datos que está aplicada en el exterior del equipo.

5.1 Advertencias generales

⚠ Antes de efectuar cualquier operación de mantenimiento, controle que se haya cortado la alimentación del refrigerador.

ℳ El uso de repuestos no originales exime al fabricante de toda responsabilidad por el mal funcionamiento del equipo

ℳ En caso de pérdida de refrigerante, llame a un técnico experto y autorizado

ℳ La válvula Schrader debe utilizarse sólo en caso de funcionamiento anómalo del equipo; de lo contrario, los daños causados por una carga incorrecta de refrigerante no serán reconocidos en garantía.

5.2 Mantenimiento preventivo

Para garantizar la máxima eficacia y fiabilidad del refrigerador, hay que:

- 🕒 **cada 4 meses**- limpiar las aletas del condensador y controlar que la absorción de corriente del compresor esté dentro de los valores nominales.
- 🕒 **cada 3 años** - instalación kit mantenimiento cada 3 años. Están disponibles (apartado 7.5):
 - **kit de mantenimiento cada 3 años;**
 - **kit de servicio;**
 - **repuestos sueltos.**

5.3 Refrigerante

🕒 Operación de carga: los daños causados por una carga incorrecta realizada por personal no autorizado no serán reconocidos en garantía.

ℳ El aparato contiene gases fluorados de efecto invernadero. El fluido refrigerante R407C, a temperatura y presión normales, es un gas incoloro perteneciente al SAFETY GROUP A1 - EN378 (fluido del grupo 2 según la directiva PED 97/23/EC); GWP (Global Warming Potential) = 1774.

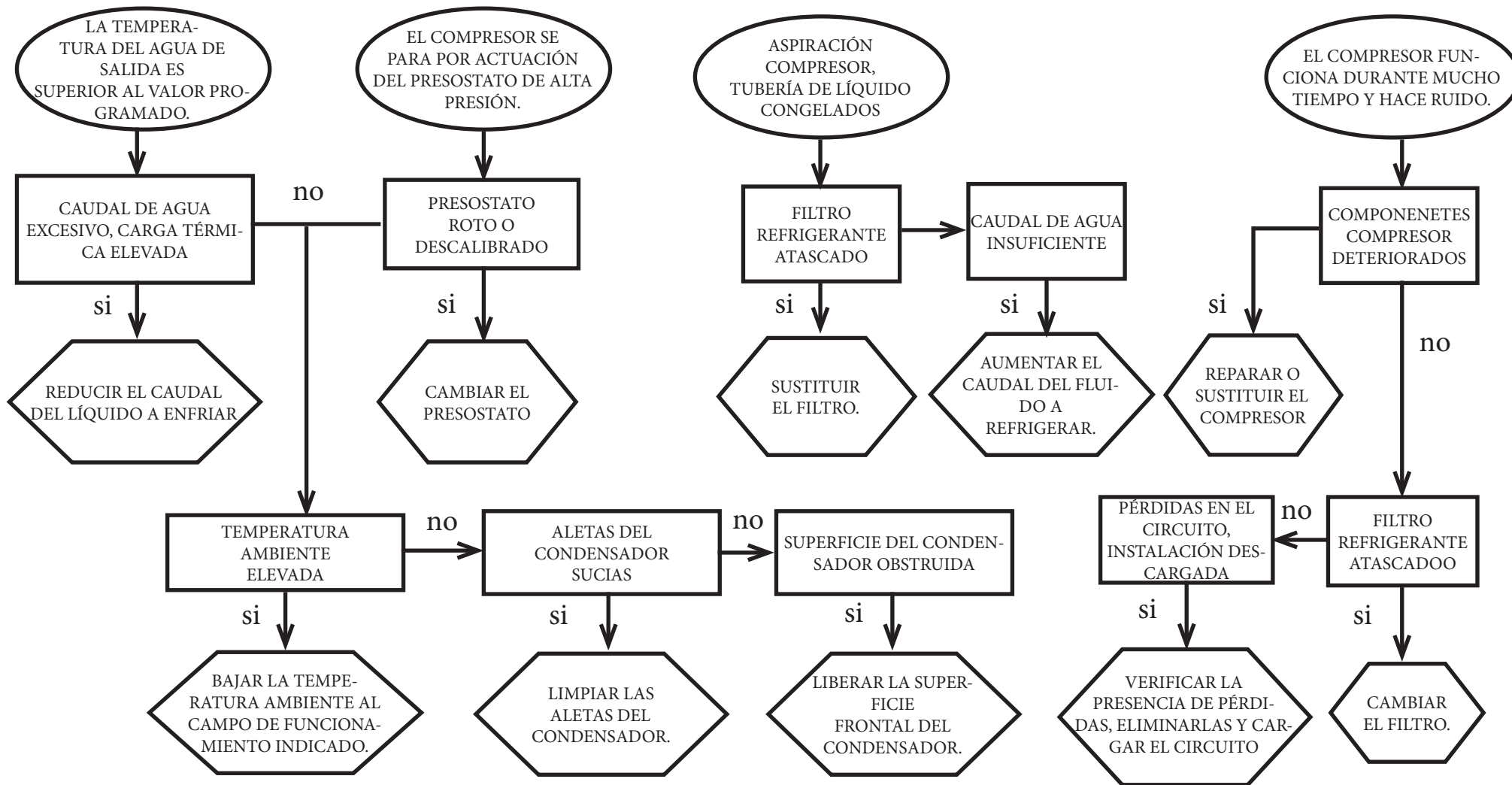
⚠ En caso de fuga de refrigerante, airee el local.

5.4 Desguace

El fluido refrigerante y el aceite lubricante contenidos en el circuito deben recogerse de conformidad con las normas locales. El líquido refrigerante se debe recuperar antes de la destrucción definitiva del equipo ((UE) N° 517/2014 art.8).

	RECICLAJE DESMANTELAMIENTO
carpintería	acero/resinas epóxicas, poliéster
depósito	aluminio/cobre/acero
tubos/colectores	cobre/aluminio/acero de carbono
aislamiento de los tubos	caucho nitrílico (NBR)
compresor	acero/cobre/aluminio/aceite
condensador	acero/cobre/aluminio
bomba	acero/fundición/latón
ventilador	aluminio
refrigerante	R407C (HFC)
válvulas	latón/cobre
cables eléctricos	cobre/PVC

6 Solución de problemas



Sommaire





1	Sécurité	1
1.1	Importance de la notice.....	1
1.2	Signaux d'avertissement.....	1
1.3	Consignes de sécurité.....	1
1.4	Risques résiduels.....	1
2	Introduction	2
2.1	Transport.....	2
2.2	Manutention.....	2
2.3	Inspection ou visite.....	2
2.4	Stockage.....	2
3	Installation	2
3.1	Espace de travail.....	2
3.2	Versions.....	2
3.3	Circuit hydraulique.....	2
3.4	Circuit électrique.....	3
4	Commande	4
4.1	Tableau de commande.....	4
4.2	Démarrage du refroidisseur.....	4
4.3	Arrêt du refroidisseur.....	4
4.4	Réglages des paramètres.....	4
4.5	Modification des paramètres.....	5
4.6	Réglage de l'heure/la date.....	5
4.7	Affichage des sondes de température B1et B2.....	6
4.8	Gestion des alarmes.....	6
4.9	Redémarrage automatique.....	7
5	Entretien	7
5.1	Recommandations générales.....	7
5.2	Entretien préventif ou prédictif.....	7
5.3	Réfrigérant.....	7
5.4	Mise au rebut.....	7
6	Dépannage	8
7	Appendice	
7.1	Légende	
7.2	Schéma d'installation	
7.3	Caractéristiques techniques	
7.4	Dimensions	
7.5	Liste des pièces de rechange	
7.6	Schéma du circuit	
7.7	Schéma électrique	

1 Sécurité


1.1 Importance de la notice


- La notice doit être conservée pendant toute la durée de vie de la machine.
- Lire la notice avant toute opération ou intervention.
- La notice est sujette à modifications : pour une information actualisée, consulter la version à bord de la machine.


1.2 Signaux d'avertissement



	Instructions pour éviter de faire courir des risques aux personnes.
	Instructions à suivre pour éviter de faire subir des dégâts à l'appareil.
	La présence d'un professionnel qualifié et agréé est exigée.
	Sont présents des symboles dont la signification est donnée au paragraphe 7.

1.3 Consignes de sécurité

 Chaque unité est munie d'un sectionneur électrique pour permettre toute intervention en conditions de sécurité. Toujours actionner ce dispositif pour éliminer les risques pendant les opérations d'entretien.

 La notice s'adresse à l'utilisateur final uniquement pour les opérations pouvant être effectuées panneaux fermés ; par contre, les opérations qui nécessitent l'ouverture avec des outils doivent être confiées à un professionnel expert et qualifié.

 Ne pas dépasser les limites définies par le projet, qui sont indiquées sur la plaque des caractéristiques.

  Il incombe à l'utilisateur d'éviter des charges différentes de la pression statique interne. En cas de risque d'activité sismique, l'unité doit être convenablement protégée.

N'utiliser l'unité que pour un usage professionnel et pour la destination prévue par le constructeur.

Il incombe à l'utilisateur d'analyser tous les aspects de l'application pour laquelle l'unité est installée, de suivre toutes les consignes industrielles de sécurité applicables et toutes les prescriptions inhérentes au produit contenues dans le manuel d'utilisation et dans tout autre documentation réalisée et fournie avec l'unité.

La modification ou l'adaptation ou le remplacement d'un composant quelconque par une personne non autorisée et/ou l'usage impropre de l'unité dégagent le constructeur de toute responsabilité et comportent l'annulation de la garantie.



Le constructeur ne saurait être tenu pour responsable pour tous les

dommages matériels aux choses ou à l'unité et pour tous les dommages physiques aux personnes dérivant d'une négligence des opérateurs, du non-respect de toutes les instructions de la présente notice, de l'application des normes en vigueur concernant la sécurité de l'installation. La responsabilité du constructeur est dérogée pour tous les dommages ou dégâts éventuels pouvant résulter de manipulations malveillantes et/ou de modifications de l'emballage.

L'utilisateur doit s'assurer que les conditions fournies pour la sélection de l'unité ou de ses composants et/ou options sont parfaitement conformes pour une utilisation correcte de cette même unité ou de ses composants.



ATTENTION: Le fabricant se réserve le droit de modifier sans aucun préavis les informations contenues dans ce manuel. Afin de disposer d'informations complètes et actualisées, il est recommandé à l'utilisateur de consulter le manuel présent à bord de l'unité.

  L'accès à l'appareil est interdite pour le grand public.

  Le dispositif ne doit pas être utilisé par des enfants ou par des personnes aux capacités physiques, sensorielles ou cognitives réduites, ou n'ayant ni expérience ni connaissance.

  Les enfants ne doivent pas jouer avec le dispositif, même sous surveillance.

  Le nettoyage et l'entretien de la part de l'utilisateur ne doivent pas être effectués par des enfants.

  Si le câble d'alimentation est endommagé, le faire remplacer par un technicien ou une personne qualifiée afin d'éviter les situations dangereuses.

1.4 Risques résiduels

L'installation, la mise en marche, l'arrêt et l'entretien de la machine doivent être effectués conformément aux dispositions prévues par la documentation technique du produit et, quoiqu'il en soit, de manière à ne créer aucune situation de risque.

Les risques n'ayant pu être éliminés en phase de conception sont indiqués dans le tableau suivant.

partie concernée	risque résiduel	modalité	précautions
batterie d'échange thermique	petites coupures	contact	éviter tout contact, porter des gants de protection
grille ventilateur et ventilateur	lésions	introduction d'objets pointus à travers la grille lors du fonctionnement du ventilateur	n'introduire aucune sorte d'objets dans la grille des ventilateurs et ne poser aucun objet sur les grilles

partie concernée	risque résiduel	modalité	précautions
partie interne de l'unité : compresseur et tuyau de refoulement	brûlures	contact	éviter tout contact, porter des gants de protection
partie interne de l'unité : parties métalliques et câbles électriques	intoxications, électrocution, brûlures graves	défaut d'isolation des câbles d'alimentation en amont du tableau électrique de l'unité, parties métalliques sous tension	protection électrique appropriée de la ligne d'alimentation ; faire très attention lors de la connexion à la terre des parties métalliques
partie externe de l'unité : zone environnante de l'unité	intoxications, brûlures graves	incendie dû à un court-circuit ou une surchauffe de la ligne d'alimentation en amont du tableau électrique de l'unité	section des câbles et système de protection de la ligne d'alimentation électrique conformes aux normes en vigueur

2 Introduction

Les moteurs du compresseur, de la pompe et du ventilateur sont protégés contre d'éventuelles surchauffes.

2.1 Transport

L'unité emballée doit rester :

- en position verticale ;
- à l'abri des intempéries ;
- à l'abri des chocs.

2.2 Manutention

Utiliser un chariot élévateur d'une capacité suffisante à soulever le poids de la machine. Éviter tous chocs pendant la manutention.

2.3 Inspection ou visite

- Toutes les unités sont assemblées, câblées, chargées de réfrigérant et d'huile et testées en usine ;
- après réception de la machine, l'examiner soigneusement pour vérifier son état : recourir contre le transporteur pour les dommages éventuellement survenus au cours du transport ;
- déballer l'unité le plus près possible de son lieu d'implantation.

2.4 Stockage

- Conserver l'unité dans son emballage en un lieu propre et à l'abri de l'humidité et des intempéries.
- ne pas superposer les unités ;
- suivre les instructions sur l'emballage.

3 Installation

☞ Pour une installation optimale, suivre scrupuleusement les indications des paragraphes 7.2, 7.3 et 7.7.

⚠ **Il est recommandé d'équiper tous les refroidisseurs de systèmes de pré-filtrage à proximité de l'entrée d'eau des refroidisseurs.**

⚠ Liquides à refroidir

Les liquides à refroidir doivent être compatibles avec les matériaux utilisés.

Exemples de liquides utilisés: de l'eau **ou des mélanges d'eau et de glycole éthylène ou propylène.**

Les liquides à refroidir ne doivent pas être inflammables.

Si les liquides à refroidir contiennent des substances dangereuses (glycol de la série éthylénique/propylénique, par exemple), toute fuite éventuelle doit être recueillie dans un récipient approprié, car potentiellement nuisible à l'environnement. En cas de vidange du circuit hydraulique, respecter la loi antipollution qui interdit le rejet des huiles usagées à l'égout ou dans la nature.

3.1 Espace de travail

Prévoir un espace de dégagement de 1,5 m autour de l'unité.

Laisser au moins 2 mètres d'espace au-dessus de la centrale sur les modèles à expulsion verticale de l'air de condensation.

3.2 Versions

Version à air

Ventilateurs axiaux (A)

Ne pas créer des situations de recyclage de l'air de refroidissement. Ne pas obstruer les grilles de ventilation.

Pour les versions avec ventilateurs axiaux, il est déconseillé de canaliser l'air épuisé.

3.3 Circuit hydraulique

3.3.1 Contrôles et raccordement

☞ Avant de raccorder le refroidisseur et de remplir le circuit, s'assurer que les tuyaux sont propres. Dans le cas contraire, laver soigneusement.

☞ Si le circuit hydraulique est de type fermé, sous pression il est conseillé d'installer une soupape de sécurité calibrée à : 6 bar (Version eau)

☞ (Version eau) Il est conseillé de toujours installer des filtres grillagés sur les tuyauteries d'entrée et de sortie de l'eau.

☞ (Version eau) Si le circuit hydraulique est intercepté par des soupapes automatiques, protéger la pompe avec des systèmes contre les coups de bélier.

☞ (Version eau) Si le circuit est vidé pour inutilisation prolongée, ajouter du fluide lubrifiant sur le rotor de la pompe pour éviter le blocage au démarrage suivant. En cas de blocage du rotor débloquent manuellement.

Déposer le couvercle arrière de la pompe et tourner délicatement le ventilateur en plastique. Si l'arbre est encore bloqué, déposer le ventilateur et actionner directement l'arbre. Une fois le rotor débloquent, remettre en place le ventilateur et le couvercle.

Contrôles préliminaires

- 1) Contrôler que les éventuels robinets d'arrêt du circuit hydraulique sont ouverts.
- 2) (Version eau) Si le circuit hydraulique est de type fermé, contrôler que la capacité du vase d'expansion installé est adéquate. Voir paragraphe 3.3.3.

Raccordement

- 1) Raccorder le réfrigérateur d'eau aux tuyaux d'arrivée et de sortie, en utilisant les raccords positionnés dans la partie postérieure de l'unité. Il est conseillé d'utiliser des joints flexibles pour éliminer la rigidité du système.
- 2) (Version eau) Remplir le circuit hydraulique en utilisant le raccord de charge spécifique positionné à l'arrière du refroidisseur (☞).
- 3) (Version eau) Le réservoir est doté d'une soupape de décharge à actionner manuellement lors du remplissage. A ce propos, si le circuit hydraulique présente des points à une hauteur supérieure, installer une soupape d'évent à ces endroits.
- 4) (Version eau) Il est conseillé de doter les tuyauteries d'entrée et de sortie d'un robinet, de manière à pouvoir exclure la machine du circuit en cas d'entretien nécessaire.
- 5) (Version eau) Si le refroidisseur fonctionne avec la cuve ouverte, la pompe doit être installée en aspiration à la cuve et en refoulement au refroidisseur.

Contrôles successifs (Version eau)

- 1) Contrôler que tout l'air a bien été évacué du réservoir et du circuit et que ces derniers sont pleins d'eau.
- 2) Le circuit hydraulique doit être toujours rempli. Pour ce faire, il est possible de contrôler et de remettre à niveau périodiquement ou bien de doter l'installation d'un kit de remplissage automatique.

3.3.2 Eau et glycol éthylénique (Version eau)

Si l'unité est installée en plein air ou, quoiqu'il en soit, dans un endroit fermé non chauffé, il se peut qu'au cours de ses périodes d'inactivité, correspondant aux moments les plus froids de l'année, l'eau du circuit gèle.

Pour éviter ce danger, il est possible :

- a) de doter le refroidisseur de protections antigel adéquates fournies en option par le constructeur ;
- b) de vidanger l'installation au moyen de la soupape de décharge en cas d'arrêts prolongés ;

c) d'ajouter une quantité adéquate d'antigel à l'eau de circulation (voir tableau).

La température de l'eau en sortie atteint parfois un niveau tel qu'il faut mélanger cette dernière, selon les pourcentages indiqués ci-après, de glycol éthylénique afin d'éviter toute formation de glace.

Température de l'eau en sortie [°C]	Glycol éthylénique (% vol.)	Température ambiante
4	5	-2
2	10	-5
0	15	-7
-2	20	-10
-4	25	-12
-6	30	-15

3.3.3 Vase d'expansion (Version eau)

Pour éviter que les augmentations ou les diminutions de volume du fluide, dues à une variation sensible de sa température, n'endommagent la machine ou le circuit, il est conseillé d'installer un vase d'expansion d'une capacité adéquate.

Le vase d'expansion doit être installé en aspiration sur la pompe sur le raccord postérieur du réservoir.

Pour calculer le volume minimal du vase d'expansion à appliquer à un circuit fermé, il est possible d'utiliser la formule suivante :

$$V = 2 \times V_{\text{tot}} \times (P_{\text{t min}} - P_{\text{t max}})$$

où

V_{tot} = vol. total du circuit (en litres)

$P_{\text{t min/max}}$ = poids spécifique à la température minimale/maximale que l'eau peut atteindre [kg/dm³].

Les valeurs de poids spécifique en fonction de la température et du pourcentage de glycol sont indiquées dans le tableau suivant:

% glycol	Température [°C]						
	-10	0	10	20	30	40	50
0%	1.0024	1.0008	0.9988	0.9964	0.9936	0.9905	0.9869
10%	1.0177	1.0155	1.0130	1.0101	1.0067	1.0030	0.9989
20%	1.0330	1.0303	1.0272	1.0237	1.0199	1.0156	1.0110
30%	1.0483	1.0450	1.0414	1.0374	1.0330	1.0282	1.0230

⚠ Attention : pendant le remplissage, se référer aux données de chargement pour le vase d'expansion.

3.4 Circuit électrique

3.4.1 Contrôles et branchements

⚠ Avant d'effectuer toute opération sur des parties électriques, s'assurer qu'elles ne sont pas sous tension.

Tous les branchements électriques doivent être conformes aux prescriptions locales du lieu d'installation.

Contrôles initiaux

- 1) La tension et la fréquence de réseau doivent correspondre aux valeurs estampillées sur la plaquette des données du refroidisseur. La tension d'alimentation ne doit pas, ne serait-ce que pour de courts instants, dépasser les limites de tolérance indiquées sur le schéma électrique qui, sous réserve d'indications différentes, équivalent à +/- 10% pour la tension et à +/- 1% pour la fréquence.
- 2) La tension doit être fournie entre la phase et le neutre et ce dernier doit être relié à la terre, dans sa propre cabine (système TN, ou par la société de distribution, système TT). Le conducteur de phase et le conducteur de neutre ne doivent pas être confondus.
- 3) Entre le câble d'alimentation et le circuit électrique, monter un interrupteur thermomagnétique différentiel adapté à l'absorption indiquée sur la plaquette d'identification, pourvu d'un jeu de contact qui assure la déconnexion complète en cas de surtension de catégorie III et conforme en réglementations en vigueur. Pour le dimensionnement de l'interrupteur, voir le courant absorbé indiqué sur la plaque d'identification de l'appareil. Le dispositif choisi doit pouvoir être verrouillé en position ouverte durant les opérations d'entretien.

Raccordement

- 1) L'alimentation électrique des refroidisseurs est effectuée au moyen d'un câble à 3 fils, 2 pôles+terre. Pour la section minimale du câble, voir paragraphe 7.3.
- 2) Passer le câble à travers le serre-câble situé sur le panneau postérieur de la machine et connecter la phase et le neutre aux bornes du sectionneur général (QS), la terre doit être connectée à la borne de terre prévue à cet effet (PE).
- 3) Assurer au commencement du câble d'alimentation une protection contre les contacts directs équivalant à au moins IP2Xo IPXXB.
- 4) Installer, sur la ligne d'alimentation électrique du refroidisseur, un interrupteur automatique avec différentiel (RCCB - IDn = 0.3A), de la portée maximale indiquée sur le schéma électrique de référence, avec un pouvoir d'interruption approprié au courant de court-circuit existant dans la zone d'installation de la machine. Le courant nominal «In» de ce disjoncteur magnéto-thermique doit être égal à FLA et la courbe de déclenchement de type D.
- 5) Valeur maximum de l'impédance du réseau = 0.274 ohm.

Contrôles successifs

S'assurer que la machine et les équipements auxiliaires sont bien mis à la terre et qu'ils sont protégés contre les courts-circuits et/ou les surcharges.

⚠ Après avoir branché l'unité et fermé l'interrupteur général en amont (mettant ainsi la machine sous tension), le voltage atteint dans le circuit électrique des valeurs dangereuses. Faire très attention !

3.4.2 Alarme générale

Tous les refroidisseurs sont dotés d'un dispositif de signalisation d'alarme de la machine (voir le schéma électrique), composé d'un contact libre inverseur indiqué sur la boîte à bornes, ce qui permet de connecter une alarme centralisée externe, sonore, visuelle ou introduite dans des logiques, PLC par exemple.

3.4.3 ON/OFF à distance

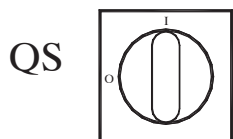
Tous les refroidisseurs peuvent être dotés d'une commande de mise en marche et d'arrêt à distance.

Pour le raccordement du contact ON-OFF à distance voir le schéma électrique.

4 Commande

4.1 Tableau de commande

Fig.1



QS Contacteur d'alimentation principal.

⏶ Bouton HAUT : appuyer pour augmenter la valeur d'un paramètre modifiable sélectionné.

⏷ Bouton BAS : appuyer pour diminuer la valeur d'un paramètre modifiable sélectionné.

esc Bouton ÉCHAP : pour quitter sans mémoriser ; revient au niveau précédent ; APPUYÉ PENDANT 5 SEC. RÉINITIALISE L'ALARME.

set Bouton SET : pour quitter et mémoriser/confirmer la valeur ; aller au niveau suivant ; entrer dans le menu Set ; APPUYÉ PENDANT 5 SEC. DÉMARRER LE REFROIDISSEUR.

⚠ Alarme ALLUMÉE (DEL allumée : rouge)

H1 des alarmes sont présentes.

4.2 Démarrage du refroidisseur

- Brancher l'alimentation de la machine en tournant le sélecteur de l'isolateur principal QS sur ON.

- Appuyer sur le bouton **set** pour démarrer.
- Régler la température voulue sur le contrôleur. (parag. 4.5.1)

4.2.1 Réglages à la mise en service

a) Le refroidisseur est paramétré pour fonctionner à une température par défaut de 12°C avec une différentiel de 3°C ; pour adopter un nouveau réglage, voir le paragraphe 4.5.

b) Réglage de la pompe (uniquement pour version à eau)
Vérifier que la pompe fonctionne correctement à l'aide de la jauge de pression (lire P1 et P0) et en vérifiant les valeurs limite de la pression (Pmax et Pmin) indiquées sur la plaquette des données de la pompe.

P1 = pression à pompe ALLUMÉE

P0 = pression à pompe ÉTEINTE

$Pmin < (P1 - P0) < Pmax$

- Exemple n°1.

Conditions :

circuit fermé, pression P0 = 2 bar

valeurs de la plaquette des données de la pompe : Pmin 1

bar/ Pmax 3 bar

régler la sortie de la vanne afin d'obtenir une pression de 3 bar < P1 < 5 bar

- Exemple n°2.

Conditions :

circuit ouvert, pression P0 = 0 bar

valeurs de la plaquette des données de la pompe : Pmin 1

bar/ Pmax 3 bar

régler la sortie de la vanne afin d'obtenir une pression de 1 bar < P1 < 3 bar

c) Vérifier le bon fonctionnement de la pompe en conditions de travail normales.

Vérifier également que l'ampérage de la pompe est compris dans les limites indiquées sur la plaquette des données.

d) Éteindre le refroidisseur et procéder au remplissage d'appoint du circuit hydraulique à la température paramétrée « SET ».

e) Vérifier que la température de l'eau « traitée » ne descend pas sous 5°C et que la température ambiante dans laquelle le circuit hydraulique fonctionne ne descend pas sous 5°C. Si la température est trop basse, ajouter la quantité nécessaire de glycol en suivant les indications fournies au paragraphe 3.3.2

4.3 Arrêt du refroidisseur

Lorsque le refroidisseur n'est plus nécessaire, l'éteindre comme suit : tourner le sélecteur On/Off [S1] sur Off.

Ne pas éteindre le sélecteur principal QS, afin de permettre aux dispositifs de protection antigèle d'être alimentés.

4.4 Réglages des paramètres

Généralités

Il existe deux niveaux de protection pour les paramètres :

- Direct (D) : à accès immédiat, **Modifiable par l'utilisateur** ;
- Protégé par mot de passe (U) : un mot de passe est requis pour y accéder ; **Paramètres réglés par le fabricant. (ne pas les modifier).**

4.4.1 Paramètres du refroidisseur

PARAMÈTRE	CODE	TYPE	PAR DÉFAUT
Unité de mesure.	[- F	D	0 F F
Activation distante on/off (voir parag. 4.4.1.1)..	r E	D	0
Adresse de l'unité *	[F 3 0	U	1
Baud rate * (voir para. 4.4.1.2)	[F 3 1	U	3
Protocole Modbus. *	[F 3 2	U	1
Gestion du relais d'alarme (voir parag. 4.4.1.3)	r RL	D	0
Activation distante on/off. superviseur *	S U P	D	0 F F
Restaurer les paramètres par défaut	d E F	D	0 F F

* paramètre optionnel

4.4.1.1 Mode distant On/Off

0	On/Off distant désactivé
1	On/Off distant activé et On/Off local activé. En cas de coupure de courant ou si l'interrupteur principal est en position d'arrêt, le refroidisseur doit être redémarré localement une fois l'alimentation électrique rétablie.
2	Uniquement On/Off distant, On/Off local désactivé

4.4.1.2 Baud rate (Optionnel)

1	2400	3	9600	5	38400	7	115200
2	4800	4	19200	6	57600		

4.4.1.3 Gestion du relais d'alarme

0	Relais normalement désactivé, excité par une alarme.
1	Relais normalement excité (même lorsque le contrôle est OFF), désactivé par une alarme.
2	Relais normalement excité (uniquement si le contrôle est ON), désactivé par une alarme ou la commande OFF.

4.4.2 Contrôle de la température

PARAMÈTRE	CODE	TYPE	PAR DÉFAUT	
Point de consigne du contrôle de température	SEt	D	C°	12.0
			F°	53.6
Point de consigne du contrôle de température ("CPt = 0n")	SEt	D	C°	20.0
			F°	68.0
Différentiel de contrôle de la température (NON visible avec le code "CPt = 0n")	dIF1	D	C°	3
			F°	5.4

4.4.3 Contrôle de la température d'économie d'énergie

PARAMÈTRE	CODE	TYPE	PAR DÉFAUT
économie d'énergie activée	ESE	D	OFF
Régler économie d'énergie	SEt-ES	D	C° 20.0 F° 68.0

4.4.4 Paramètres du compresseur

PARAMÈTRE	CODE	TYPE	PAR DÉFAUT
Temps minimum sur « On ».	dAS	F	2
Temps minimum entre deux actionnements du compresseur.	dES	F	5
Compteur horaire du compresseur 1	AbC1	D	0

4.4.5 Paramètres général

PARAMÈTRE	CODE	TYPE	PAR DÉFAUT
contrôle de la précision activée	CPt	U	OFF

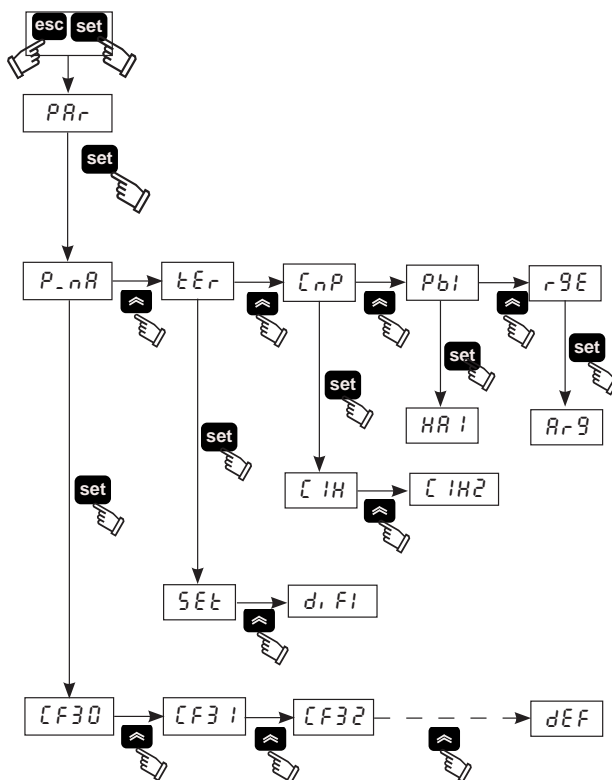
4.4.6 Paramètres du capteur B1, B2, B3

PARAMÈTRE	CODE	TYPE	PAR DÉFAUT	
Alarme température élevée (eau)	HA1	D	C°	60
			F°	140
Alarme température basse (eau)	LA1	U	C°	-20
			F°	-4
Alarme température élevée (Évaporateur)	HA2	U	C°	60
			F°	140
Alarme température basse (Évaporateur)	LA2	U	C°	3
			F°	37.4

4.5 Modification des paramètres

4.5.1 Paramètres (SEt / dIF1 / dEF)

Fig.2



4.5.2 Réglage de la température (voir fig.1/2)

- Placer l'interrupteur principal (QS) sur « ON » et attendre que « OFF » s'affiche.
- Appuyer simultanément sur les boutons « esc » « set » pour entrer dans le type de paramètre « D »
- Sélectionner le paramètre « PAR » à l'aide des boutons « ⏴ » et « ⏵ », puis appuyer sur le bouton « set » pour entrer.
- Sélectionner le paramètre « tEr » à l'aide des boutons « ⏴ » et « ⏵ », puis appuyer sur le bouton « set » pour entrer.
- Sélectionner le paramètre « SEt » à l'aide des boutons « ⏴ » et « ⏵ », puis appuyer sur le bouton « set » pour entrer.
- Modifier la valeur à l'aide des boutons « ⏴ » et « ⏵ » et appuyer

sur le bouton « set » pour confirmer et quitter.

- Appuyer trois fois sur le bouton « esc » pour quitter.

4.5.3 Réglage du différentiel (voir fig.1/2)

- Placer l'interrupteur principal (QS) sur « ON » et attendre que « OFF » s'affiche.
- Appuyer simultanément sur les boutons « esc » « set » pour entrer dans le type de paramètre « D »
- Sélectionner le paramètre « PAR » à l'aide des boutons « ⏴ » et « ⏵ », puis appuyer sur le bouton « set » pour entrer.
- Sélectionner le paramètre « tEr » à l'aide des boutons « ⏴ » et « ⏵ », puis appuyer sur le bouton « set » pour entrer.
- Sélectionner le paramètre « dIF1 » à l'aide des boutons « ⏴ » et « ⏵ », puis appuyer sur le bouton « set » pour entrer.
- Modifier la valeur à l'aide des boutons « ⏴ » et « ⏵ » et appuyer sur le bouton « set » pour confirmer et quitter.
- Appuyer trois fois sur le bouton « esc » pour quitter.

4.5.4 Réglage du différentiel (voir fig.1/2)

- Placer l'interrupteur principal (QS) sur « ON » et attendre que « OFF » s'affiche.
- Appuyer simultanément sur les boutons « esc » « set » pour entrer dans le type de paramètre « D »
- Sélectionner le paramètre « PAR » à l'aide des boutons « ⏴ » et « ⏵ », puis appuyer sur le bouton « set » pour entrer.
- Sélectionner le paramètre « P_nA » à l'aide des boutons « ⏴ » et « ⏵ », puis appuyer sur le bouton « set » pour entrer.
- Sélectionner le paramètre « dEF » à l'aide des boutons « ⏴ » et « ⏵ », puis appuyer sur le bouton « set » pour entrer.
- Modifier la valeur de « OFF » à « 0n » l'aide des boutons « ⏴ » et « ⏵ » et appuyer sur le bouton « set » pour confirmer et quitter.
- Appuyer trois fois sur le bouton « esc » pour quitter.

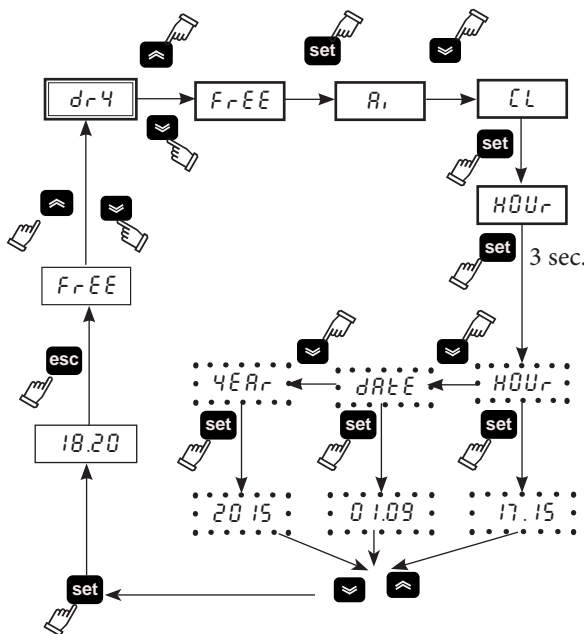
4.6 Réglage de l'heure/la date.

(voir fig. 1/3)

- Appuyer simultanément sur les boutons « ⏴ » « ⏵ » pour accéder au menu « FrEE ».
- Appuyer sur le bouton « set » pour accéder au bouton « R1 ».
- Appuyer sur le bouton « ⏵ » pour accéder au menu « CL ».

- Appuyer sur le bouton « **set** » pour accéder et afficher le paramètre « *HOUR* » (heure).
- Appuyer sur le bouton « **set** » jusqu'à ce que le paramètre « *HOUR* » (heure) clignote.
- Sélectionner le paramètre qui clignote « *HOUR* » (heure)/« *DATE* » (date)/« *YEAR* » à l'aide du bouton « **↕** » et appuyer sur « **set** » pour accéder.
- Modifier la valeur qui clignote à l'aide des boutons « **↕** » et « **↕** » (haut et bas), puis appuyer sur le bouton « **set** » pour confirmer.
- Appuyer sur le bouton « **esc** » pour revenir au menu « *FREE* ».
- Appuyer simultanément sur les boutons « **↕** » « **↕** » pour quitter.

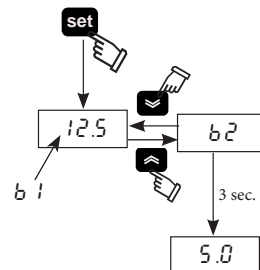
Fig.3



⚠ La mémoire de l'« horloge/date » dure trois jours au maximum. Si le contrôleur reste sans alimentation pendant plus de trois jours, l'heure/le mois/l'année paramétrés seront donc perdus. Régler l'horloge lors de la mise en marche de la machine et chaque fois que cela est nécessaire.

4.7 Affichage des sondes de température B1et B2

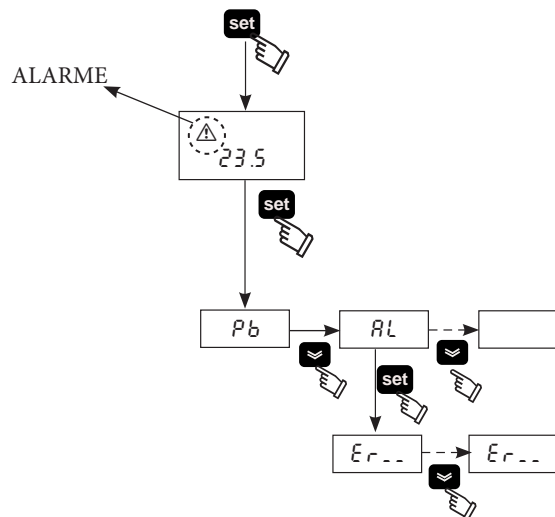
(voir fig.1/3)
Fig.3



- Placer l'interrupteur principal (QS) sur « ON » et attendre que « *OFF* » s'affiche.
- Appuyer sur le bouton « **set** » pour démarrer.
- L'écran affiche la température de la sonde B1.
- À l'aide des boutons « **↕** » et « **↕** », sélectionner le capteur (B2) et attendre 3 secondes pour afficher la valeur de la température.
- Appuyer sur le bouton « **esc** » pour quitter.

4.8 Gestion des alarmes

(voir fig.1/4)
Fig.4



- Appuyer sur le bouton « **set** » pour démarrer.
- ⚠** Alarme ALLUMÉE (DEL allumée : rouge).
- Appuyer sur le bouton « **set** » pour entrer dans le menu et utiliser

les boutons « **↕** » et « **↕** » pour sélectionner le paramètre « *AL* ».

- Appuyer sur le bouton « **set** » pour afficher le paramètre d'alarme.
- Appuyer sur le bouton « **↕** » pour afficher le paramètre suivant.
- Appuyer sur le bouton « **esc** » pour quitter.

4.8.1 Entrées d'alarme analogiques/numériques

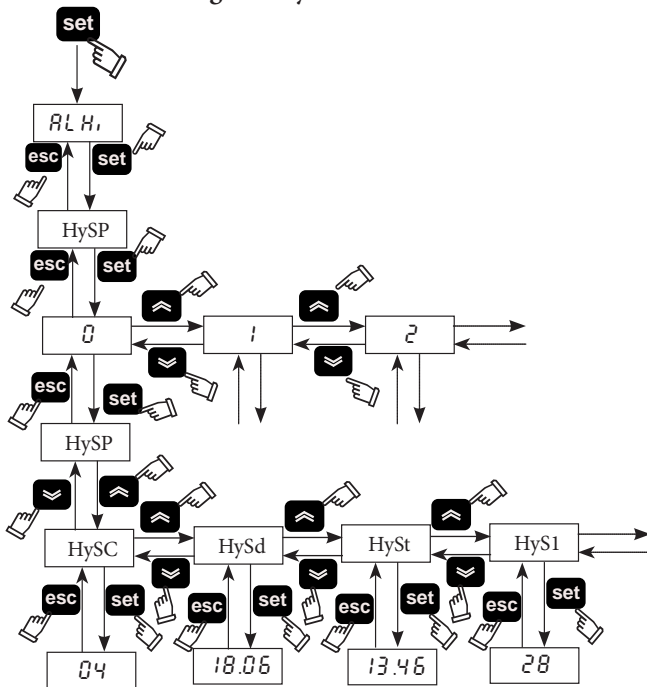
CODE	DESCRIPTION	ACTION	RÉINITIALISATION
Er01	Coupure ou rupture du capteur B1	Alarme	A
Er02	Coupure ou rupture du capteur B2	Alarme	A
Er03	Coupure ou rupture du capteur B3	Alarme	A
Er04	Haute pression	Alarme	M
Er05	Basse pression	Alarme	M
Er06	Coupure thermique pompe	Alarme	M
Er07	Niveau d'eau bas	Alarme	M
Er08	Coupure ou rupture du transducteur haute pression	Alarme	A
Er10	Coupure ou rupture du capteur B4	Avertissement	M
Er12	Thermique compresseur *	Alarme	M
Er14	Capteur de haute température B1	Alarme	A
Er15	Capteur de basse température B1	Alarme	A
Er16	Capteur de haute température B2	Alarme	A
Er17	Capteur de basse température B2	Alarme	A
Er18	Capteur de haute température B3	Alarme	A
Er19	Capteur de basse température B3	Alarme	A
Er20	Antigel	Alarme	A
Er21	Heures de travail compresseur dépassées	Avertissement	A
Er23	Moniteur phase	Alarme	M
Er24	Heures de travail unité dépassées	Avertissement	A
Er25	Expansion communication	Alarme	A
Er26	Mémoire contrôleur	Avertissement	A

* **⚠** (Modèles à huile uniquement)
Si la température à l'évaporateur descend en dessous de 5 °C, l'alar-

me “Er 12” se déclenche avec un retardement de 120 s et arrête le fonctionnement de la machine.

⚠ Appuyer sur le bouton « **esc** » pour remettre à zéro les alarmes (5sec).

4.9 Alarm/Warning history



Menu	Code	DESCRIPTION
ALHi	HySP	Alarm number
	HySC	See alarm code
	HySd	See day and month of the alarm (if the clock option is present)
	HySt	See hour and minutes of the alarm (if the clock option is present)
	HyS1	b1 temperature at time of the alarm
	HyS2	b2 temperature at time of the alarm
	HyS3	SET conditions at time of the alarm

Press the button “**set**” to enter in the menu, using the buttons “**set**” and “**esc**” select the parameter “ALHi”.

Press the button “**set**” to enter in the menu, using the buttons “**set**”

”and “**esc**” select the parameter “HySP”.

Press the button “**set**” to enter in the menu, using the buttons “**set**”

”and “**esc**” select the alarm number insert (0,1,2.....39) and confirm with “**set**” (the number 0 is the last alarm started) .

“HySP” appears again, press “**set**” to enter and see the date of the alarm: “HySC” code (es:HP), “HySd” Date (day, month), “HySt” hour (hour, minutes), “HyS1” “HyS2” “HyS3” sensor b1, b2 and set when the alarm occurred.

Press “**esc**” to exit.

4.10 Redémarrage automatique

En cas de coupure de courant, lorsque l’alimentation revient le refroidisseur reviendra à l’état On-Off qu’il avait au moment de la coupure.

5 Entretien

- La machine est conçue et construite pour garantir un fonctionnement continu ; la durée de ses composants dépend cependant directement de l’entretien effectué.
- En cas de demande d’assistance ou de pièces détachées, identifier la machine (modèle ou numéro de série) en lisant la plaque d’identification placée sur la carrosserie de l’unité.

5.1 Recommandations générales

⚠ Avant tout entretien vérifier que le réfrigérateur ne soit plus alimenté.

🔧 Utiliser toujours des pièces de rechange d’origine ; dans le cas contraire, le constructeur est dégagé de toute responsabilité pour le mauvais fonctionnement de la machine.

🔧 En cas de fuite du réfrigérant, appeler un professionnel qualifié et agréé par le constructeur.

🔧 La vanne ou valve Schrader ne doit être utilisée qu’en cas d’anomalie de fonctionnement de la machine : dans le cas contraire, les dommages causés par une charge de réfrigérant incorrecte ne seront pas reconnus au titre de la garantie

5.2 Entretien préventif ou prédictif

Pour garantir dans le temps l’efficacité maximum et la fiabilité de l’appareil procéder comme suit :

- tous les 4 mois**-nettoyage des ailettes du condenseur et vérifier que l’absorption électrique du compresseur se situe dans les valeurs inscrites sur la plaque signalétique ;
- tous les 3 ans** - installation kit entretien tous les 3 ans. Sont disponibles (voir paragraphe 7.5)

- kit entretien 3 ans;
- kit service;
- pièces détachées en vrac.

5.3 Réfrigérant

🕒 Opération de charge : les dommages éventuels causés par une charge incorrecte effectuée par un personnel non habilité ne seront pas reconnus au titre de la garantie.

🔧 L’appareil contient des gaz à effet de serre fluorés. Le fluide frigorigène R407C à température et pression normales est un gaz incolore appartenant au SAFETY GROUP A1 - EN378 (fluide groupe 2 selon la directive PED 97/23/EC); GWP (Global Warming Potential) = 1774.

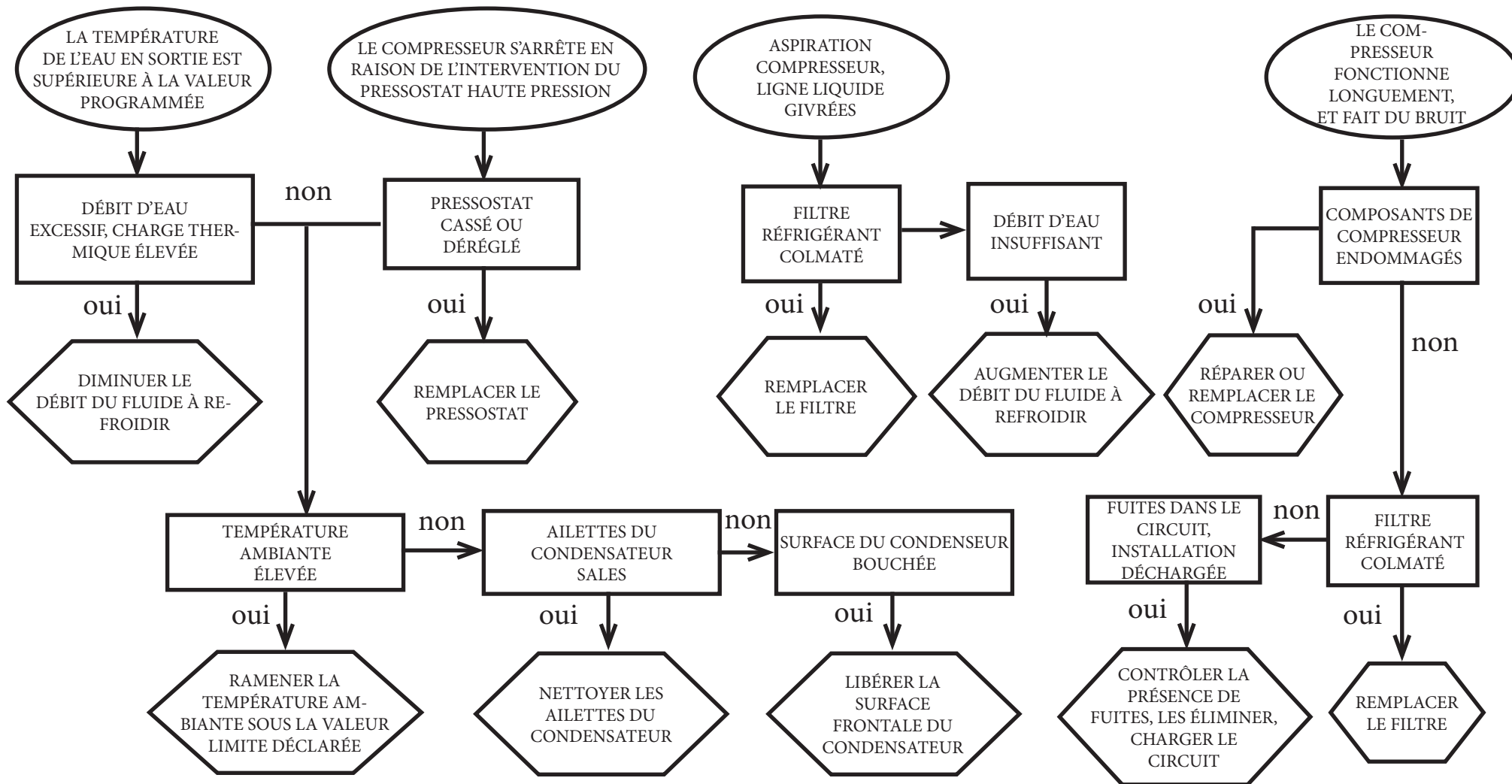
⚠ En cas de fuite de réfrigérant, aérer le local.

5.4 Mise au rebut

Le fluide frigorigène et le lubrifiant (huile) contenus dans le circuit devront être récupérés selon la législation antipollution. La récupération du fluide réfrigérant est effectuée avant la destruction définitive de l’équipement ((UE) N° 517/2014 art.8).

	RECYCLAGE DÉMANTÈLEMENT
charpenterie	acier/résines époxy, polyester
réservoir	aluminium/cuivre/acier
tuyauterie/collecteurs	cuivre/aluminium/acier au carbone
isolation tuyauterie	caoutchouc nitrile (NBR)
compresseur	acier/cuivre/aluminium/huile
condenseur	acier/cuivre/aluminium
pompe	acier/fonte/laiton
ventilateur	aluminium
réfrigérant	R407C (HFC)
vannes	laiton/cuivre
câbles électriques	cuivre/PVC

6 Dépannage





A division of Parker Hannifin Corporation

Parker Hannifin Corp.

Gas Separation and Filtration Division

4087 Walden Avenue

Lancaster, NY 14086

Tel. 716 686 6400, Fax 877 857 3800
